

California Tees

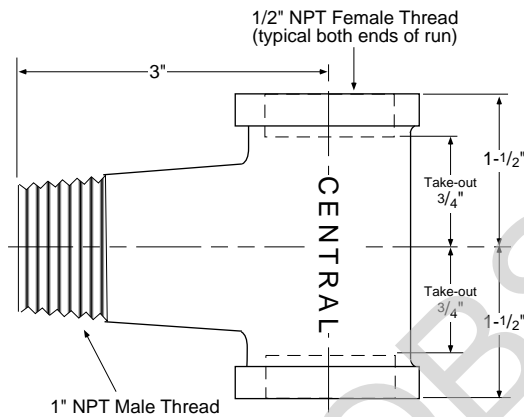
- 1" Male Outlet Tee
- 1" x 1/2" x 1" Male Outlet Reducing Tee
- 1" Male 90° Street Elbow
- 1" x 1/2" Male 90° Street Reducing Elbow

Central Sprinkler Company
 451 North Cannon Avenue, Lansdale, Pennsylvania 19446

Product Description: Central's California Tees are the first ductile iron fittings that combine the benefits of standard fittings with short nipples. These innovative, labor saving fittings reduce the potential of leakage from the nipple joint(s) and save valuable time when installing up-over-down systems, return bends, bull head tees and the retrofitting of existing 1/2" outlets to 1" drops per NFPA 13. All fittings are N.P.T. using high quality ductile iron and are U.L. and U.L.C. Listed and F.M. Approved. Manufacturer: non-domestic

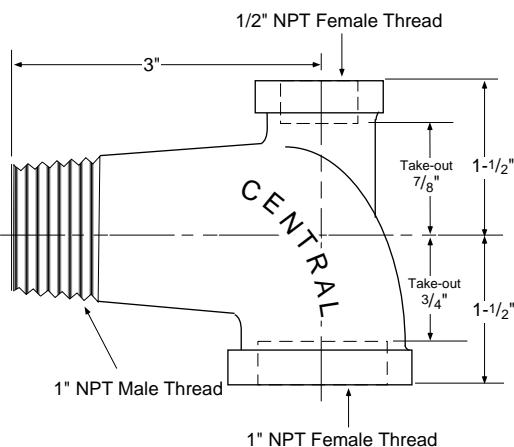


Figure 1 — 1" x 1" x 1" Male Outlet Tee



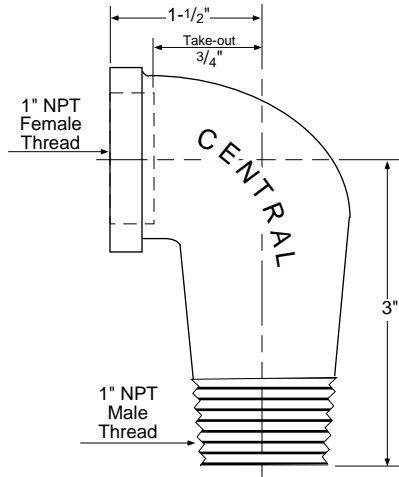
The 1" x 1" x 1" Male Outlet Tee combines the benefits of a bull head tee with a short nipple. The configuration eliminates the potential for leaks by eliminating nipple joints while saving labor and material costs. The 1" x 1" x 1" Male Outlet Tee is best used in an up-over-down sprig configuration.

Figure 2 — 1" x 1/2" x 1" Male Outlet Reducing Tee



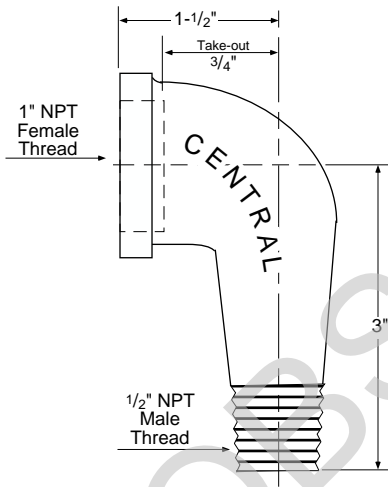
The 1" x 1/2" x 1" Male Outlet Reducing Tee allows an up-over-down (rooster tail) system to be completed without the need for a short nipple; eliminating the number of joints, thereby eliminating the potential for leaks. Utilizing the 1" x 1/2" x 1" Male Outlet Reducing Tee not only reduces the potential for leakage, but saves labor and material costs.

Figure 3 — 1" x 1" Male 90° Street Elbow



The 1" x 1" Male 90° Street Elbow is a fitting that allows the contractor to eliminate the short nipples required in return bends providing better tolerances and leak-free joints. The fitting is ideal for swing joint or goose neck assemblies which eliminate the need for short nipples.

Figure 4 — 1" x 1/2" Male 90° Street Reducing Elbow



The 1" x 1/2" Male 90° Street Reducing Elbow is best utilized when retrofitting a sprinkler system where an upright 1/2" sprinkler outlet exists and needs to be connected to 1" pendent ceiling sprinklers, per Section 3-3-5-2 of the NFPA 13 Standard.



Central Sprinkler Company

451 N. Cannon Avenue, Lansdale, PA 19446

Phone (215) 362-0700

FAX (215) 362-5385