

# Strap

## Figure 40-5



### Grooved Piping Products

Tyco Fire Products --- [www.tyco-grooved.com](http://www.tyco-grooved.com)  
 451 North Cannon Avenue, Lansdale, Pennsylvania 19446 --- USA  
 Customer Service/Sales: Tel: (215) 362-0700 / Fax: (215) 362-5385  
 Technical Services: Tel: (800) 381-9312 / Fax: (800) 791-5500



## General Description



See Fire Protection Submittal Sheet for pressure rating and Listing and Approval information

The Figure 40-5 Strap is an economical alternative to welded pipe outlets on steel pipe.

The Figure 40-5 Strap may be used with full lengths of pipe and eliminates threading and welding, decreasing waste and installation time. The 40-5 Strap may be used in wet, dry pipe and deluge systems.



## Technical Data

**Figure:** 40-5

**Outlet:** Threaded

**Max. Working Pressure:** 175 psi  
(1207 kPa)

**Approvals:** UL, FM, and ULC

See Fire Protection Submittal Sheet for exact Listing / Approval info.

**Manufacturing Source:** Domestic  
**Housing:**

Ductile iron conforming to  
 ASTM A-536, Grade 65-45-12

**Protective Coatings:**

- Clear rust inhibitive coating
- Zinc electroplated conforming to ASTM B-633, Type III Service 2 (optional)

**U-Bolt:** Carbon steel conforming to  
 ASTM A-307, Grade A,  
 Zinc electroplated

**Nuts:** Carbon steel conforming to  
 ASTM A-307, Grade A,  
 Zinc electroplated

**Gasket:** (specify when ordering)  
 • Grade E EPDM green color code  
 -30°F (-34°C) to +230°F (+110°C)

(See Gasket Grades and Recommendations Sheet for aid in selecting proper gasket)

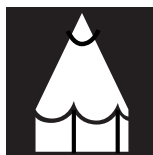
**Availability and Service:** Grooved Piping Products, valves, accessories and other products are available throughout the U.S., Canada, and internationally, through a network of Central distribution centers. You may write directly or call 215-362-0700 for the distributor nearest you.



## Care and Maintenance

The owner is responsible for the inspection, testing, and maintenance of their fire protection system and devices in accordance with the applicable standards of the National Fire Protection Association (e.g., NFPA 25), in addition to the standards of any authority having jurisdiction. The installing contractor or product manufacturer should be contacted relative to any questions. Any impairment must be immediately corrected.

It is recommended that automatic sprinkler systems be inspected, tested, and maintained by a qualified Inspection Service.



## Ordering Procedure

**Ordering Information:** When placing an order, indicate the full product name. Please specify the quantity, figure number, type of gasket, EPDM "E" and size.



# Limited Warranty

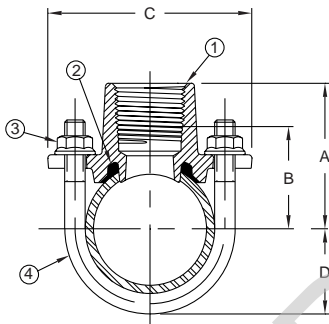
Products manufactured by Tyco Fire Products are warranted solely to the original Buyer for ten (10) years against defects in material and workmanship when paid for and properly installed and maintained under normal use and service. This warranty will expire ten (10) years from date of shipment by Tyco Fire Products. No warranty is given for products or components manufactured by companies not affiliated by ownership with Tyco Fire Products or for products and components which have been subject to misuse, improper installation,

corrosion, or which have not been installed, maintained, modified or repaired in accordance with applicable Standards of the National Fire Protection Association (NFPA), and/or the standards of any other Authorities Having Jurisdiction. Materials found by Tyco Fire Products to be defective shall be either repaired or replaced, at Tyco Fire Products' sole option. Tyco Fire Products neither assumes, nor authorizes any person to assume for it, any other obligation in connection with the sale of products or parts of products. Tyco Fire Products shall not be responsible for sprinkler system design errors or inaccurate or incomplete information supplied by Buyer or Buyer's representatives. IN NO EVENT SHALL TYCO FIRE

PRODUCTS BE LIABLE, IN CONTRACT, TORT, STRICT LIABILITY OR UNDER ANY OTHER LEGAL THEORY, FOR INCIDENTAL, INDIRECT, SPECIAL OR CONSEQUENTIAL DAMAGES, INCLUDING BUT NOT LIMITED TO LABOR CHARGES, REGARDLESS OF WHETHER TYCO FIRE PRODUCTS WAS INFORMED ABOUT THE POSSIBILITY OF SUCH DAMAGES, AND IN NO EVENT SHALL TYCO FIRE PRODUCTS' LIABILITY EXCEED AN AMOUNT EQUAL TO THE SALES PRICE.

**THE FOREGOING WARRANTY IS MADE IN LIEU OF ANY AND ALL OTHER WARRANTIES EXPRESS OR IMPLIED, INCLUDING WARRANTIES OF MERCHANTABILITY AND FITNESS FOR A PARTICULAR PURPOSE.**

**Figure 40-5 Strap**



Fitting Size	Equivalent Length (1 inch pipe)	Item	Description
1 1/4" x 1"	8	1	Housing
1 1/2" x 1"	6	2	Gasket
2" x 1"	6	3	Flanged Nut
2 1/2" x 1"	4	4	U-Bolt

The friction loss for these outlets is specified in equivalent length of 1 inch Schedule 40 (C=120) pipe.

The 1 inch outlets can be used with a nipple leading directly to a sprinkler. These fittings should be used for hydraulically calculated systems only.

Pipe Size Run x Branch	Dimensions				Hole Size Inches mm	Net Wt. Lbs. Kg.
	A Inches mm	B Inches mm	C Inches mm	D Inches mm		
1 1/4" x 1/2"	2.00 50.8	1.50 38.1	3.50 88.9	1.20 30.5	1 3/16 30.2	0.84 0.4
1 1/4" x 3/4"	2.00 50.8	1.50 38.1	3.50 88.9	1.20 30.5	1 3/16 30.2	0.88 0.4
1 1/4" x 1"	2.31 58.7	1.68 42.7	3.50 88.9	1.20 30.5	1 3/16 30.2	1.13 0.5
1 1/2" x 1/2"	2.12 53.8	1.62 41.1	3.50 88.9	1.32 33.5	1 3/16 30.2	0.84 0.4
1 1/2" x 3/4"	2.12 53.8	1.62 41.1	3.50 88.9	1.32 33.5	1 3/16 30.2	0.88 0.4
1 1/2" x 1"	2.43 61.7	1.80 45.7	3.50 88.9	1.32 33.5	1 3/16 30.2	1.13 0.5
2" x 1/2"	2.36 59.9	1.86 47.2	3.74 95.0	1.55 39.4	1 3/16 30.2	0.88 0.4
2" x 3/4"	2.36 59.9	1.86 47.2	3.74 95.0	1.55 39.4	1 3/16 30.2	0.95 0.4
2" x 1"	2.67 67.8	2.04 51.8	3.74 95.0	1.55 39.4	1 3/16 30.2	1.16 0.5
2 1/2" x 1/2"	2.61 66.3	2.11 53.6	4.25 108.0	1.80 45.7	1 3/16 30.2	0.90 0.4
2 1/2" x 3/4"	2.61 66.3	2.11 53.6	4.25 108.0	1.80 45.7	1 3/16 30.2	0.99 0.4
2 1/2" x 1"	2.92 74.2	2.29 58.2	4.25 108.0	1.80 45.7	1 3/16 30.2	1.21 0.5

General Notes: It is the Designer's responsibility to select products suitable for the intended service and to ensure that pressure ratings and performance data is not exceeded. Always read and understand the installation instructions (IH-1000). Never remove any piping component nor correct or modify any piping deficiencies without first depressurizing and draining the system. Material and gasket selection should be verified to be compatible for the specific application.



Certified Company