

Strap 40-5

Manufactured By: Central Grooved Piping Products, Inc.
 a subsidiary of Central Sprinkler Company
 451 North Cannon Avenue, Lansdale, Pennsylvania 19446



Product Description

The Central Figure 40-5 Strap has an exclusive design. It may be installed on pipe prior to shipping and is cost effective when applied to grid or loop systems.

The Central Figure 40-5 Strap may be used with full lengths of pipe and eliminates threading and welding, decreasing waste and installation time. The Central 40-5 Strap may be used in wet, dry pipe and deluge systems. The Central 40-5 Strap is F.M. Approved, U.L. Listed, and U.L.C. Listed. **(See Central Fire Protection Submittal Sheet for exact Listing/Approval information.)**



Technical Data

Maximum Working Pressure:
 UL/ULC/FM = 175 PSIG
 Non-Fire Protection = 300 PSIG

Housing: Ductile iron casting conforming to ASTM A536

U-Bolt: Carbon steel conforming to ASTM A307, Grade A, zinc plated.

Nuts: Carbon steel conforming to ASTM A-563 Grade A, zinc plated.

Gasket: Grade "E" EPDM green color code (-30°F to +230°F)

Manufacturing Source: Domestic

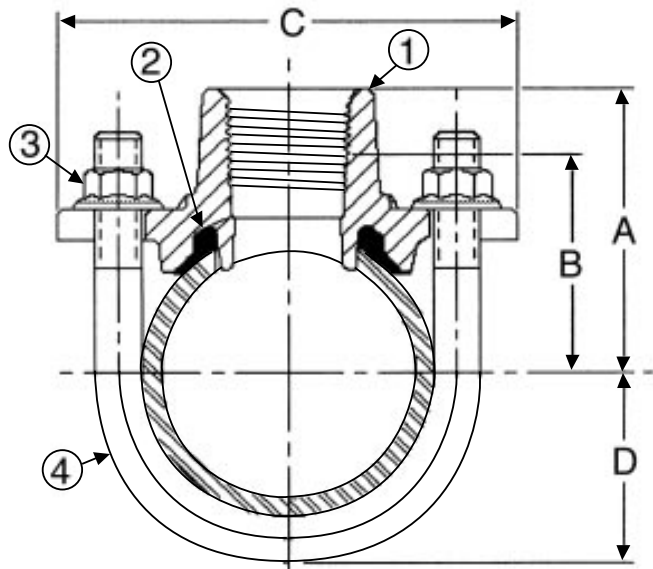
Strap

40-5 Listings

Size (inches)	Pipe Schedule	Rated Pressure (psig) UL/ULC/FM
1 1/4" x 1/2", 3/4", & 1"	5,10, 40, DF, HF, TL, XL, SF, BLT, DT, SL	175
1 1/2" x 1/2", 3/4", & 1"	5,10, 40, DF, HF, TL, XL, SF, BLT, DT, SL	175
2" x 1/2", 3/4", & 1"	5,10, 40, DF, HF, TL, XL, SF, BLT, DT, SL	175
2 1/2" x 1/2", 3/4", & 1"	10, 40, DF, HF, TL, XL, SF, BLT, DT, SL	175

- Notes:** BLT- Black Light Wall Threadable Listed/ Approved steel sprinkler pipe manufactured by American Tube.
 DF- Dyna-Flow Listed/ Approved steel sprinkler pipe manufactured by American Tube.
 DT- Dyna Thread Listed/ Approved steel sprinkler pipe manufactured by American Tube.
 SF- Super-Flow Listed/ Approved steel sprinkler pipe manufactured by Allied Tube & Conduit.
 SL- Listed/ Approved steel sprinkler pipe manufactured by Western Tube & Conduit.
 HF- Hi Flo Listed/ Approved Hi Flo steel sprinkler pipe manufactured by Western Tube & Conduit.
 XL- Extra Light Weight Listed/ Approved steel sprinkler pipe manufactured by Allied Tube & Conduit.
 TL- TL Listed/ Approved steel sprinkler pipe manufactured by Central Sprinkler Company.
 LS- Listed/ Approved steel sprinkler pipe manufactured by Century Tube & Conduit.
 WLS- WLS Listed/ Approved steel sprinkler pipe manufactured by Wheatland Tube Company.

Size	A in./mm	B in./mm	C in./mm	D in./mm	Hole Size	Weight lbs./ Kg
1¼" x ½"	2.00" (50.8)	1.50" (38.1)	3.50" (88.9)	1.20" (30.5)	1⅜" (30.2)	.84 (21.3)
1¼" x ¾"	2.00" (50.8)	1.50" (38.1)	3.50" (88.9)	1.20" (30.5)	1⅜" (30.2)	.88 (22.4)
1¼" x 1"	2.31" (58.7)	1.68" (42.7)	3.50" (88.9)	1.20" (30.5)	1⅜" (30.2)	1.13 (28.7)
1½" x ½"	2.12" (53.8)	1.62" (41.1)	3.50" (88.9)	1.32" (33.5)	1⅜" (30.2)	.84 (21.3)
1½" x ¾"	2.12" (53.8)	1.62" (41.1)	3.50" (88.9)	1.32" (33.5)	1⅜" (30.2)	.88 (22.4)
1½" x 1"	2.43" (61.7)	1.80" (45.7)	3.50" (88.9)	1.32" (33.5)	1⅜" (30.2)	1.13 (28.7)
2" x ½"	2.36" (59.9)	1.86" (47.2)	3.74" (95.0)	1.55" (39.4)	1⅜" (30.2)	.88 (22.4)
2" x ¾"	2.36" (59.9)	1.86" (47.2)	3.74" (95.0)	1.55" (39.4)	1⅜" (30.2)	.95 (24.1)
2" x 1"	2.67" (67.8)	2.04" (51.8)	3.74" (95.0)	1.55" (39.4)	1⅜" (30.2)	1.16 (29.5)
2½" x ½"	2.61" (66.3)	2.11" (53.6)	4.25" (107.9)	1.80" (45.7)	1⅜" (30.2)	.90 (22.9)
2½" x ¾"	2.61" (66.3)	2.11" (53.6)	4.25" (107.9)	1.80" (45.7)	1⅜" (30.2)	.99 (25.1)
2½" x 1"	2.92" (74.2)	2.29" (58.2)	4.25" (107.9)	1.80" (45.7)	1⅜" (30.2)	1.21 (30.7)



Item	Description
1	Housing
2	Gasket
3	Flanged Nut
4	U-Bolt

Installation

Central Figure 40-5 Straps are to be installed according to the following steps:

1. Drill and de-bur a 1⅜" + ⅜"-0 clearance hole.
2. Remove any oils from around the clearance hole, both inside and out.
3. Center the body of the 40-5 strap over the hole and attach the "U" bolt. Do not lubricate gasket. Check that the locating collar is properly positioned in the hole.
4. Uniformly tighten the nuts. The torque should not exceed 15 ft. lbs. on pipe with walls less than schedule 10 or 25 ft. lbs. for schedule 10 and above. Overtorquing can damage thin wall pipe and will not increase sealing efficiency.

Note: Before attempting to remove any piping component, the piping system must always be depressurized and drained.

Ordering Information

Ordering Information: When placing an order, indicate the full product name. Please specify the size and quantity.

Availability and Service: Central sprinklers, valves, accessories, and other products are available throughout the U.S. and Canada;



Central Sprinkler Company

451 North Cannon Avenue, Lansdale, PA 19446
PHONE (215) 362-0700
FAX (215) 362-5385

and internationally through a network of Central Sprinkler distribution centers. You may write directly to Central Sprinkler Company or call 215-362-0700 for the distribution center nearest you.

Warranty: Central will repair and/or replace any products found to be defective in material or workmanship within a period of one year from the date of shipment. Please refer to the current Price List for further details of the warranty.

Conversion Table:

1 inch = 25.400 mm
1 pound = 0.4536 kg
1 psi = 6.895 kpa
= 0.0689 bar
= 0.0703 kg/cm²

Conversions are approximate.