

Control Check

Figure 722G

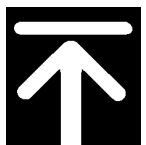
Supplied by: Central Grooved Piping Products
a Subsidiary of Central Sprinkler Company
451 North Cannon Avenue, Lansdale, Pennsylvania 19446
Phone (215) 362-0700 Fax (215) 362-5385



Product Description

The Figure 722G Control Check Valve is a combination spring loaded silent check valve, flow control valve and shut-off valve.

Line pressure of approximately $\frac{1}{4}$ psi will open the disc and the spring closes the disc as the flow approaches zero in order to prevent flow reversal and water hammer. The flow can be adjusted from bubble tight shut-off to full flow.



Technical Data

Figure: 722G

Sizes:

2" - 12" (60.3 - 323.9mm)

Body & Yoke:

Ductile iron conforming to ASTM A-395 (60-40-18) or A-536

Disc:

Cast iron ASTM A126-B

Stem:

Bronze ASTM B21

Seat Guide:

Bronze ASTM B584 (81-3-7-9)

Disc Guide:

Cast iron ASTM A126-B

Seat*:

Bronze

*Separate disc guides and seats are used on 6" and larger.

Flanged Gland:

Cast iron ASTM A126-B

Packing:

Graphited asbestos (optional non-asbestos packing available)

Pressure - Temperature Rating:

2" -10" 640 psi (4413 kpa) @ 100°F(38°C)

12" 500 psi (3447 kpa) @ 100°F(38°C)

Testing:

Hydrostatically tested to $1\frac{1}{2}$ times rated pressure

Spring:

302 stainless steel

Stem Guide:

Ductile iron ASTM A-395 (60-40-18), or A-536

Note: Never remove any piping component without verifying that the system is depressurized and drained



Installation

The Figure 722G Control Check can be quickly installed into grooved end piping systems with two rigid couplings. The guided disc has a soft seat to ensure against leakage. It lifts $\frac{1}{3}$ " for each inch of pipe diameter. The rising stem incorporates a graduated position indicator to ensure accurate positioning for throttling service. The yoke and valve stem are unwetted external parts so they cannot be affected by the fluid. All mating threaded parts are made of dissimilar, non-galling metals. Field service can be done without special tools. The back seat for the stem allows packing replacement under full line pressure.

A drain plug at location "C" is provided as well as bosses for gauge taps at the inlet and outlet.

To prevent rotation of the valve, it is recommended that the Control Check Valve be installed with rigid type couplings, such as the Central Figure 772. If flexible couplings are used, such as the Central Grooved Figure 705 or Figure 707, additional support may be needed.

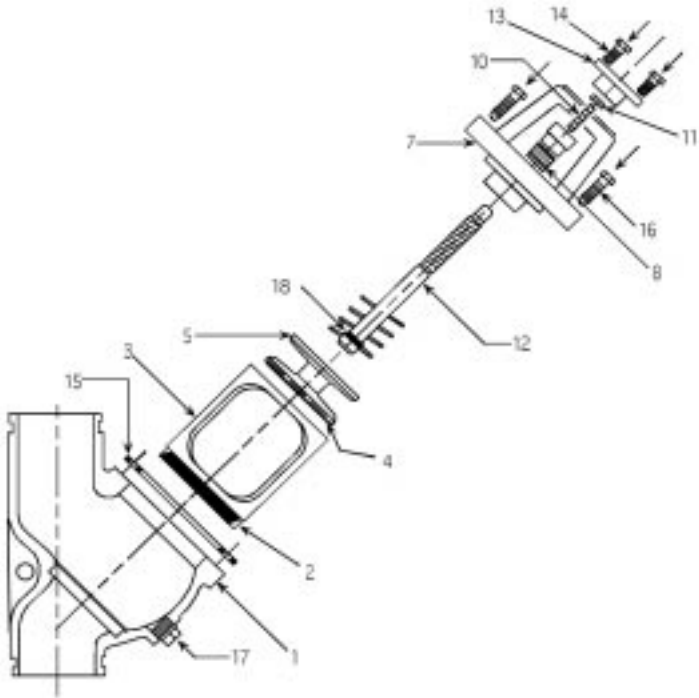


Ordering Information

Ordering Information: When placing an order, indicate the full product name. Please specify the quantity, figure number, and size.

Availability and Service: Central Grooved Piping Products are available throughout the U.S., Canada, and internationally, through a network of Central distribution centers. You may write directly to Central, or call 215-362-0700 for the distributor nearest you.

Warranty: Central Grooved Piping Products will repair and/or replace any products found to be defective in material or workmanship within a period of one year from the date of shipment. Please refer to the current price list for further details of the warranty.



Bill of Materials

No.	Description
1	Body - Ductile iron ASTM A-395 or A-536
2	Seat O-ring - Buna-N
3	Disc Guide - Cast iron ASTM A-126-B, NI coated
4	Disc O-ring - Buna-N
5	Disc - Cast iron ASTM A-126-B, NI coated
6	Spring - 302 Stainless Steel
7	Yoke Cover - Ductile iron ASTM A-395 or A-536
8	Gland Packing - Graphited Non-Asbestos
9	Flanged Gland - Cast iron ASTM A-126-B
10	Stud - Alloy Steel ASTM A-307-B
11	Nut - Alloy Steel ASTM A-307-B
12	Stem - Bronze ASTM B21
13	Stem Guide - Ductile iron ASTM A-395
14	Hex Head Cap Screws - ASTM A-307-B or SAE J429-Gr5
15	Cover Gasket - Non-Asbestos
16	Hex Head Cap Screws - ASTM A-307-B or SAE J429-Gr5
17	NPT Plug
18	Stem O-ring - Buna-N

Dimensions and Weights

Size	A Inches mm	B (open) Inches mm	C NPT Inches	Net. Wt. Lbs. Kg.
2	9.38 238.3	9.62 244.3	0.50	23.50 10.7
2½	10.25 260.3	9.62 244.3	0.50	24.00 10.9
3	11.25 285.8	10.12 257.0	0.50	33.00 14.9
4	15.62 396.7	12.62 320.5	0.50	84.00 38.1
6	19.38 492.2	17.50 444.5	0.75	156.00 70.7
8	23.25 590.5	18.00 457.2	0.75	300.00 136.0
10	27.62 701.5	21.75 552.4	1.00	392.00 177.8
12	31.62 803.1	25.00 635.0	1.00	496.00 225.0

Figure 1
722G Control Check

