

Grooved Y-Strainer Figure 758G



Supplied by: Central Grooved Piping Products
a Subsidiary of Central Sprinkler Company
451 North Cannon Avenue, Lansdale, Pennsylvania 19446
Phone (215) 362-0700 Fax (215) 362-5385

Product Description

The Central Grooved Figure 758G Y-Strainer provides economical strainer protection for piping equipment.

Standard screens for Figure 758G are perforated 304 stainless steel with other alloys available. Standard perforation are listed below:

- sizes 2"-4" (60.3 - 114.3mm)
= 1/16" (1.6mm)
- sizes 5"-12" (114.3 - 323.4mm)
= 1/8" (3.2mm)

All covers have an NPT blowoff outlet at location "C" (pipe plugs not included). Recessed seat in the cover assures accurate screen alignment.

Advise when strainers are to be mounted in vertical piping so we can rotate the cover to position the blowoff at the lowest point.



Technical Data

Figure: 758G

Sizes:

2" - 12" (60.3 - 323.9mm)

Pressure and Temperature Rating:
640psi (4412 kPa) @ 150°F (66°C)

Body and Cover:

Ductile Iron conforming to ASTM A-395 (60-40-18)

Screen:

Type 304 Stainless Steel

Gaskets:

Non-Asbestos

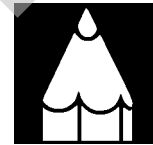


Installation

Install with two Central flexible or rigid couplings in accordance with the grooved coupling installation instructions. Prior to installation, assure that the strainer is positioned in the direction of flow, as indicated by the arrow on the iron body.

Note: Never remove any piping component without verifying that the system is depressurized and drained.

After initial system start-up, depressurize the system and relieve pressure. Inspect and clean screen as needed. Reinstall according to installation instructions. Periodic maintenance is recommended.



Ordering Information

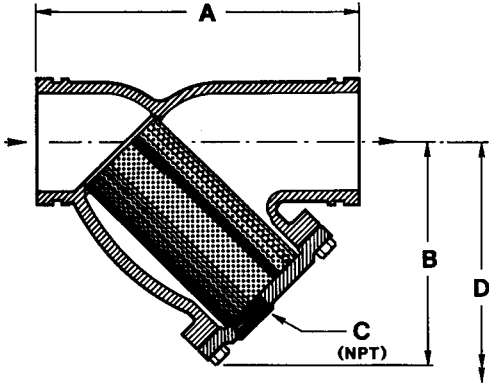
Ordering Information: When placing an order, indicate the full product name. Please specify the quantity, figure number, and size.

Availability and Service: Central Grooved Piping Products are available throughout the U.S., Canada, and internationally, through a network of Central distribution centers. You may write directly to Central, or call (215) 362-0700 for the distributor nearest you.

Warranty: Central Grooved Piping Products will repair and/or replace any products found to be defective in material or workmanship within a period of one year from the date of shipment. Please refer to the current Price List for further details of the warranty.

Dimensions and Approximate Weights

758G Grooved Y-Strainer



Size	O.D. Inches mm	A Inches mm	B Inches mm	C NPT* Inches	D Screen Removal Inches mm	Net. Wt. Lbs. Kg.
2"	2.375 60.3	7.88 200.1	5.25 133.4	0.50	7.00 177.8	12.0 5.4
2½"	2.875 73.0	10.00 254.0	6.50 165.1	1.00	9.75 248.0	18.0 8.2
3"	3.500 88.9	10.13 257.3	7.00 177.8	1.00	10.00 250.0	23.0 10.4
4"	4.500 114.3	12.13 308.1	8.25 209.6	1.50	12.00 305.0	42.0 19.0
5"	5.563 141.3	15.63 397.0	11.25 285.7	2.00	17.00 432.0	80.0 36.3
6"	6.625 168.3	18.50 469.9	13.50 342.9	2.00	20.00 508.0	112.0 50.8
8"	8.625 219.1	21.63 549.4	15.50 393.7	2.00	22.75 578.0	205.0 93.0
10"	10.750 273.0	27.63 701.8	18.50 470.0	2.00	28.00 711.0	277.0 125.6
12"	12.750 323.9	32.25 819.2	21.75 552.0	2.00	30.00 762.0	470.0 213.2

*Contact Central for availability with BSP blow off outlets

