

## MLC-S Sprinkler Pipe & Fittings for Concrete Ceilings

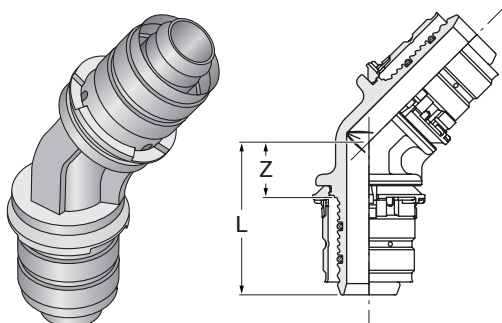
### MLC-S Press Fittings

#### Press 45° Elbow



Sizes	50 x 50
Approvals	VdS approval no. G 4060066.
Tech Data Sheet	Contact Tyco for details

Tin-plated brass, with fixed press sleeves and pressing jaw stops. ■ For use in the installation of pipes in sprinkler ceilings according to VdS approval no. G 4060066.



MLC-S Press 45° Elbow					
Part No.	Dimension	Z mm	L mm	Weight kg	Approval & Listings
					VdS
1045990	50 x 50	25	63	0.556	✓