

# MLC-S Sprinkler Pipe & Fittings for Concrete Ceilings

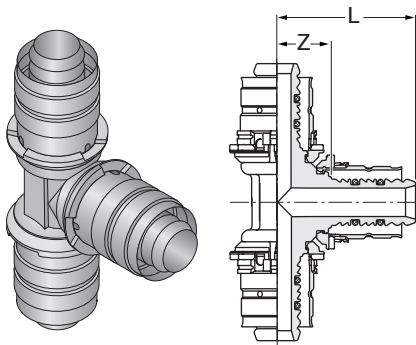
## MLC-S Press Fittings

### Press Tee



Sizes	32 x 32 x 32 and 50 x 50 x 50
Approvals	VdS approval no. G 4060066.
Tech Data Sheet	Contact Tyco for details

Tin-plated brass, with fixed press sleeves and pressing jaw stops. ■ For use in the installation of pipes in sprinkler ceilings according to VdS approval no. G 4060066.



MLC-S Press Tee					
Part No.	Dimension	Z mm	L mm	Weight kg	Approval & Listings VdS
980307	32 x 32 x 32	23	53	0.330	✓
1045992	50 x 50 x 50	41	78	0.962	✓