

Series TY-L – 5.6 K-factor Horizontal Sidewall Sprinkler Standard Response, Standard Coverage

General Description

TYCO Series TY-L 5.6K Standard Response, Standard Coverage, Horizontal Sidewall (HSW) Sprinklers are solder-type spray sprinklers designed for use in light and ordinary hazard, commercial occupancies such as banks, hotels, shopping malls, offices, etc. They are designed for installation along a wall or the side of a beam and just beneath a smooth ceiling. Horizontal sidewall sprinklers are commonly used instead of pendent or upright sprinklers due to aesthetics or building construction considerations where piping across the ceiling is not desirable.

Corrosion-resistant coatings, where applicable, are utilized to extend the life of copper alloy sprinklers beyond that which would otherwise be obtained when exposed to corrosive atmospheres. Although corrosion resistant coated sprinklers have passed the standard corrosion tests of the applicable approval agencies, the testing is not representative of all possible corrosive atmospheres. Consequently, it is recommended that the end user be consulted with respect to the suitability of these coatings for any given corrosive environment. The effects of ambient temperature, concentration of chemicals, and gas/chemical velocity, should be considered, as a

minimum, along with the corrosive nature of the chemical to which the sprinklers will be exposed.

NOTICE

The Series TY-L Sprinklers described herein must be installed and maintained in compliance with this document, as well as with the applicable standards of the National Fire Protection Association (NFPA), in addition to the standards of any other authorities having jurisdiction. Failure to do so may impair the performance of these devices.

The owner is responsible for maintaining their fire protection system and devices in proper operating condition. Contact the installing contractor or product manufacturer with any questions.

Sprinkler Identification Numbers (SINs)

TY3311 HSW 5.6K, ½ in. NPT

TY3311 is a redesignation for Star SIN S1803 and Gem SIN G3113.

Technical Data

Approvals
UL and C-UL Listed
FM Approved

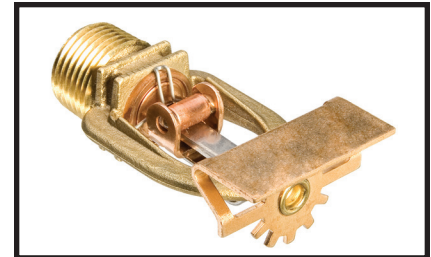
(See Table A for complete approval information.)

Maximum Working Pressure
175 psi (12,1 bar)

Discharge Coefficient
K=5.6 gpm/psi^{1/2} (80,6 lpm/bar^{1/2})

Temperature Ratings
See Table A

Finishes
See Table A



Physical Characteristics

Frame	Brass
Strut	MONEL
Deflector	Bronze
Hook	Bronze/MONEL
Ejection Spring	Stainless Steel
Sealing Button	Bronze w/TEFLON
Fusible Element	Solder, Copper, Stainless Steel

Operation

A copper tube sealed by two stainless steel balls holds a fusible alloy. When the rated temperature is reached, the alloy melts, the balls are forced toward each other releasing the tension mechanism, allowing the sprinkler to operate.

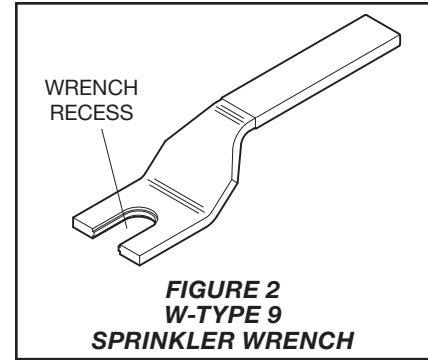
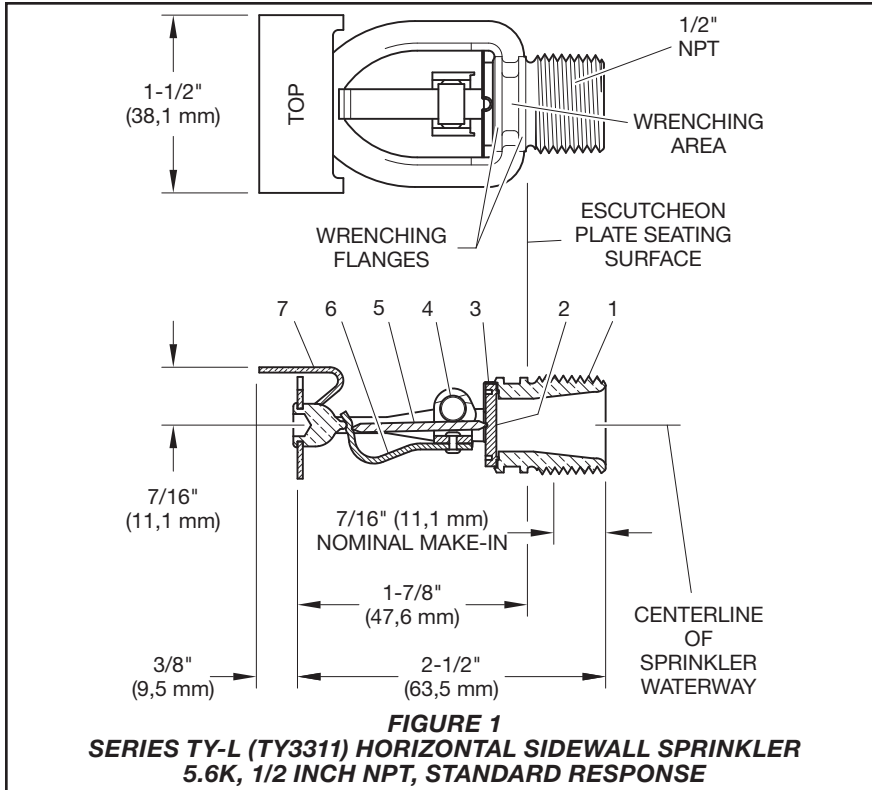
Design Criteria

TYCO Series TY-L 5.6K Standard Response, Standard Coverage, Horizontal Sidewall (HSW) Sprinklers are intended for fire protection systems designed in accordance with the standard installation rules recognized by the applicable listing or approval agency (e.g., UL Listing is based on NFPA 13 requirements). The Series TY-L HSW Sprinklers must be installed with a deflector-to-ceiling distance of 4 in. to 6 in. (100 mm to 150 mm). To meet this requirement, the centerline of the sprinkler waterway must be located 4 5/16 in. to 6 5/16 in. (110 mm to 160 mm) below the ceiling. Installation of the Series TY-L HSW Sprinklers in recessed escutcheons will void all manufacturer's warranties, as well as possibly void the sprinkler's approvals and/or listings.

IMPORTANT

Refer to Technical Data Sheet TFP2300 for warnings pertaining to regulatory and health information.

Always refer to Technical Data Sheet TFP700 for the "INSTALLER WARNING" that provides cautions with respect to handling and installation of sprinkler systems and components. Improper handling and installation can permanently damage a sprinkler system or its components and cause the sprinkler to fail to operate in a fire situation or cause it to operate prematurely.



After installation, the sprinkler wrench flats and frame arms must be inspected and the wax coating retouched (repaired) whenever the coating has been damaged and bare metal is exposed. The wax coating on the wrench flats can be retouched by gently applying a heated 1/8 in. diameter steel rod to the areas of wax that have been damaged, to smooth it back over areas where bare metal is exposed.

NOTICE

Only retouching of the wax coating applied to the wrench flats and frame arms is permitted, and the retouching is to be performed only at the time of the initial sprinkler installation.

The steel rod should be heated only to the point at which it can begin to melt the wax, and appropriate precautions need to be taken, when handling the heated rod, in order to prevent the installer from being burned.

If attempts to retouch the wax coating with complete coverage are unsuccessful, additional wax can be ordered in the form of a wax stick (the end of which is color-coded). Only the correct color-coded wax is to be used, and retouching of wrench flats and frame arms is only permitted at the time of initial sprinkler installation. With the steel rod heated as previously described, touch the rod to the area requiring additional wax with the rod angled downward, and then touch the wax stick to the rod approximately 1/2 in. away from the area requiring retouching. The wax will melt and run down onto the sprinkler.

Installation

TYCO Series TY-L 5.6K Standard Response, Standard Coverage, Horizontal Sidewall (HSW) Sprinklers must be installed in accordance with this section.

General Instructions

A leak-tight 1/2 in. NPT sprinkler joint should be obtained with a torque of 7 to 14 lb-ft (9,5 to 19,0 N·m). Higher levels of torque may distort the sprinkler inlet and cause leakage or impairment of the sprinkler.

Do not attempt to make up for insufficient adjustment in the escutcheon plate by under- or over-tightening the sprinkler. Readjust the position of the sprinkler fitting to suit.

Horizontal Sidewall Sprinklers

The Series TY-L HSW Sprinklers must be installed in accordance with the following instructions:

Note: *Series TY-L HSW Sprinklers must be installed with their centerline of waterway parallel to the ceiling and perpendicular to the back wall surface. The word "TOP" on the deflector must face upwards toward the ceiling.*

Step 1. After installing an escutcheon (as applicable) over the sprinkler pipe threads and with pipe thread sealant applied to the pipe threads, hand-tighten the sprinkler into the sprinkler fitting.

Step 2. Tighten the sprinkler into the sprinkler fitting using only the W-Type 9 Sprinkler Wrench (See Figure 2), except that an 8 in. or 10 in. adjustable crescent wrench is to be used for wax coated sprinklers. With reference to Figure 1, the W-Type 9 Sprinkler Wrench is to be applied to the wrench area, or as applicable, an adjustable wrench is to be applied to the wrenching flanges.

When installing wax coated sprinklers with an adjustable wrench, additional care needs to be exercised to prevent damage to the wax coating on the sprinkler wrench flats or frame arms and, consequently, exposure of bare metal to the corrosive environment. The jaws of the wrench should be opened sufficiently wide to pass over the wrench flats without damaging the wax coating.

Before wrench-tightening the sprinkler, the jaws of the wrench are to be adjusted to just contact the sprinkler wrench flats. After wrench-tightening the sprinkler, loosen the wrench jaws before removing the wrench.

K FACTOR	SPRINKLER TYPE	TEMPERATURE RATING	FRAME COLOR CODE	SPRINKLER FINISH				
				NATURAL BRASS	CHROME PLATED	LEAD COATED	WAX COATED	WAX-OVER-LEAD COATED
5.6 1/2" NPT	HORIZONTAL SIDEWALL (TY3311)	165°F (74°C)	Unpainted	1, 2, 3				1, 2
		212°F (100°C)	White					
		280°F (138°C)	Blue					

NOTES:

- Listed by Underwriters Laboratories, Inc. (UL) for light or ordinary hazard occupancies
- Listed by Underwriters Laboratories, Inc. for use in Canada (C-UL) for light or ordinary hazard occupancies
- Approved by FM Global (FM Approvals) for light hazard occupancies
- N/A – Not Applicable

TABLE A
**5.6K SERIES TY-L (TY3311) HORIZONTAL SIDEWALL SPRINKLER
LABORATORY LISTINGS AND APPROVALS**

Care and Maintenance

TYCO Series TY-L 5.6K Standard Response, Standard Coverage, Horizontal Sidewall (HSW) Sprinklers must be maintained and serviced in accordance with this section.

Before closing a fire protection system main control valve for maintenance work on the fire protection system that it controls, permission to shut down the affected fire protection system must be obtained from the proper authorities and all personnel who may be affected by this action must be notified.

Absence of an escutcheon, which is used to cover a clearance hole, may delay the time to sprinkler operation in a fire situation.

Sprinklers that are found to be leaking or exhibiting visible signs of corrosion must be replaced.

Automatic sprinklers must never be painted, plated, coated or otherwise altered after leaving the factory. Modified or over-heated sprinklers must be replaced.

Care must be exercised to avoid damage to the sprinklers before, during, and after installation. Sprinklers damaged by dropping, striking, wrench twist/slippage, or the like, must be replaced.

Frequent visual inspections are recommended to be initially performed for corrosion resistant coated sprinklers, after the installation has been completed, to verify the integrity of the corrosion-resistant coating. Thereafter, annual inspections per NFPA 25 should suffice; however, instead of inspecting from the floor level, a random sampling of close-up visual inspections should be made, so as to better determine the exact sprinkler condition and the long term integrity of the corrosion-resistant coating, as it may be affected by the corrosive conditions present.

The owner is responsible for the inspection, testing, and maintenance of their fire protection system and devices in compliance with this document, as well as with the applicable standards of the NATIONAL FIRE PROTECTION ASSOCIATION, such as NFPA 25, in addition to the standards of any other authorities having jurisdiction. Contact the installing contractor or product manufacturer with any questions.

It is recommended that automatic sprinkler systems be inspected, tested, and maintained by a qualified Inspection Service in accordance with local requirements and/or national codes.

P/N 53 — XXX — X — XXX			
		SIN	
113	5.6K HSW (½ in. NPT)	TY3311	
			SPRINKLER FINISH
			1 NATURAL BRASS
			6 WAX COATED *
			7 LEAD COATED
			8 WAX-OVER-LEAD COATED *
			9 CHROME PLATED
			* 165°F and 212°F only
			TEMPERATURE RATING
			165 165°F (74°C)
			212 212°F (100°C)
			280 280°F (138°C)

TABLE B
SERIES TY-L HORIZONTAL SIDEWALL SPRINKLERS, STANDARD RESPONSE
PART NUMBER SELECTION

Limited Warranty

For warranty terms and conditions, visit www.tyco-fire.com.

Ordering Procedure

Contact your local distributor for availability. When placing an order, indicate the full product name and part number (P/N).

Sprinkler Assemblies with NPT Thread Connections

Specify: Series TY-L 5.6K Horizontal Sidewall Standard Response Sprinklers, SIN TY3311, Temperature Rating (specify), Finish (specify), and P/N (see Table B)

Sprinkler Wrenches

Specify: W-Type 9 Sprinkler Wrench, P/N 56-000-1-849

Specify: W-Type 7 Sprinkler Wrench, P/N 56-850-4-001

Wax Sticks (for retouching wrench-damaged wax coating)

Specify: (specify color) Color-coded Wax Sticks for retouching (specify temperature rating) temperature-rated Series TY-L Sprinklers, P/N (specify):

Red for 165°F.....56-065-1-155
Blue for 212°F and 280°F.....56-065-1-286

Notes:

- Each wax stick is suitable for retouching up to 25 sprinklers.
- The wax used for 280°F sprinklers is the same as for 212°F sprinklers, and, therefore, the 280°F sprinkler is limited to the same maximum ceiling temperature as the 212°F sprinkler (i.e., 150°F).