

CPVC Hangers Head Set Model SHB1

General Description

The TYCO CPVC Hanger Head Set Model SHB1 offers a time saving installation method for proper placement of an automatic sprinkler before the ceiling is installed.

The hanger head set is a re-designation for the Central Model SHB1 Hanger Head Set.

The hanger head set in a side-mount position, as shown in Figure 2, provides accurate vertical positioning of the sprinkler thereby assuring a desirable uniform sprinkler deflector-to-ceiling positioning of the sprinklers. Due to the unique design of the Hanger Head Set, "blocking" is not required to offset the centerline of piping to accommodate the sprinkler escutcheon from the side of the joist. With the fasteners provided, the hanger head set is intended to be attached directly to the side of a solid wood framing member or the side of a structural composite wood joist of minimum 3/8 in. thickness OSB (Oriented Strand Board) web member or equivalent.

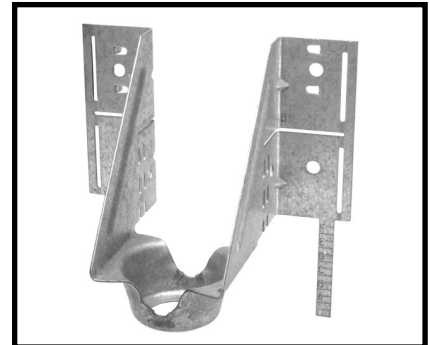
Note: The TYCO CPVC Hanger Head Set Model SHB1 is designed for use with Johnson Controls "West Coast" style Sprinkler Head Adapters.

For ordering information for the sprinkler head adapters, see the Ordering Procedure section.

NOTICE

The TYCO CPVC Hanger Head Set Model SHB1 described herein must be installed and maintained in compliance with this document and the applicable standards of the NATIONAL FIRE PROTECTION ASSOCIATION (NFPA), in addition to the standards of any authorities having jurisdiction. Failure to do so may impair the performance of these devices.

The owner is responsible for maintaining their fire protection system and devices in proper operating condition. The installing contractor or sprinkler manufacturer should be contacted with any questions.



Technical Data

Approvals

UL Listed for use with CPVC pipe*

*For hanger head set side-mount installations as shown in Figure 2 - to provide accurate vertical positioning of a sprinkler.

Material

Galvanized aluminum, 20 gauge

Weight

0.26 lb (0,12 kg)

IMPORTANT

Refer to Technical Data Sheet TFP2300 for warnings pertaining to regulatory and health information.

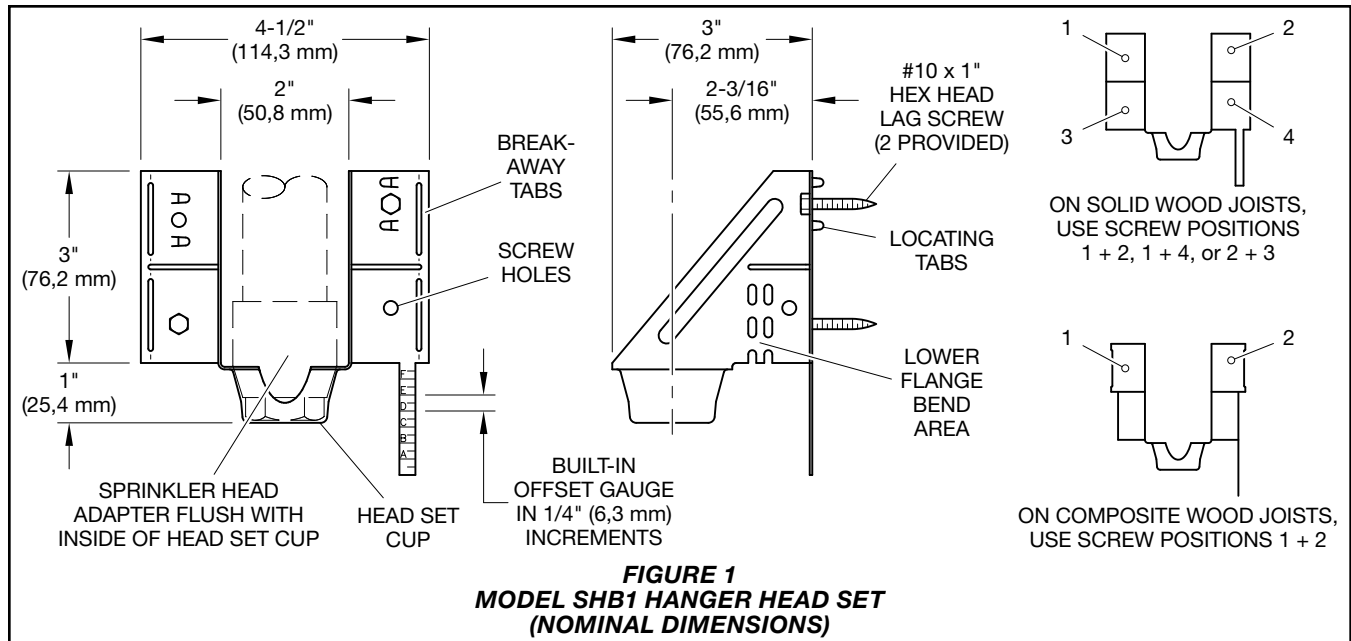


FIGURE 1
MODEL SHB1 HANGER HEAD SET
(NOMINAL DIMENSIONS)

Installation

The installation instructions for the TYCO CPVC Hanger Head Set Model SHB1 for different types of wood joist are defined in the following sections:

- Hanger Head Set — Solid Wood Joist
- Hanger Head Set — Composite Wood Joist

NOTICE

The TYCO CPVC Hanger Head Set Model SHB1 does not meet the UL requirement for providing vertical restraint that may result from a sprinkler activation. A number of hanger techniques (not inclusive of the use of a Hanger Head Set) as described in Installation Handbook IH-1900 can be used to provide vertical restraint. Failure to provide vertical restraint may result in vertical lift upon sprinkler activation and the inability of a sprinkler to spray effectively in the event of a fire.

Installing sprinklers into the sprinkler adapter fittings prior to solvent cementing the adapters to the drop is unacceptable. Failure to allow sprinkler fitting joint to cure before installing sprinklers may result in cement in sprinkler waterway and inability of the sprinkler to properly operate in the event of a fire.

The hanger head set should not be installed other than side-mount or attached to anything other than the side of a solid wood framing member or structural composite wood joist, with the fasteners provided, without prior review and approval of the authority having jurisdiction. Any other method

of installation may not comply with NFPA or local requirements. If the installer attaches the Hanger Head Set to another type of structural member or orients the Hanger Head Set in a position other than side-mount, fasteners and fastener methods shall comply with applicable NFPA and local code requirements.

Hanger Head Set - Solid Wood Joist

Step 1. Position the hanger head set against the vertical solid wood joist surface (side-mount).

Step 2. Set the depth using the graduated markings on an offset gauge as shown in Figure 3.

Step 3. Secure the hanger head set to the wooden surface using the two #10 x 1 in. hex head lag screws.

Note: The screws are provided. See Figure 1.

Step 4. Cut and install the CPVC sprinkler drop making sure the face of the sprinkler head adapter is flush with the inside of the head set cup.

Step 5. Insert the sprinkler inlet pipe threads through the head set cup and thread into the CPVC adapters using the instructions provided in the technical data sheet for the sprinkler, and Technical Data Sheet TFP700 for the "INSTALLER WARNING".

Hanger Head Set - Composite Wood Joist

Step 1. Use a pliers to break off the breakaway tabs as shown in Figure 4.

Step 2. Use the pliers to bend the lower hanger mounting flange to a 90 degree angle as shown in Figure 4.

Step 3. Position the hanger head set against the composite wood joist web member (side-mount).

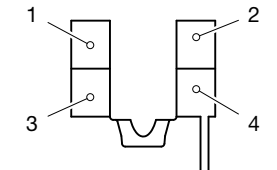
Step 4. Set the depth using the graduated markings of an offset gauge as shown in Figure 3.

Step 5. Secure the hanger head set to the wooden surface using the two #10 x 1 in. hex head lag screws.

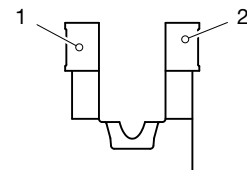
Note: The screws are provided. See Figure 1.

Step 6. Cut and install the CPVC sprinkler drop making sure the face of the sprinkler head adapter is flush with the inside of the head set cup.

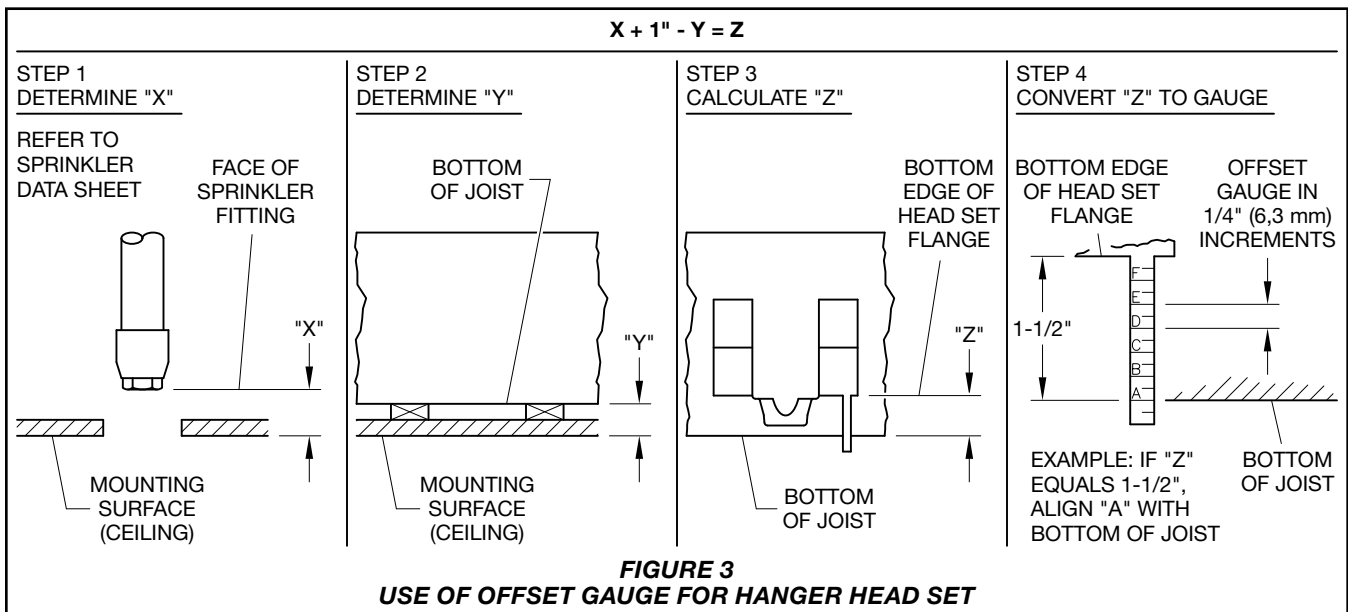
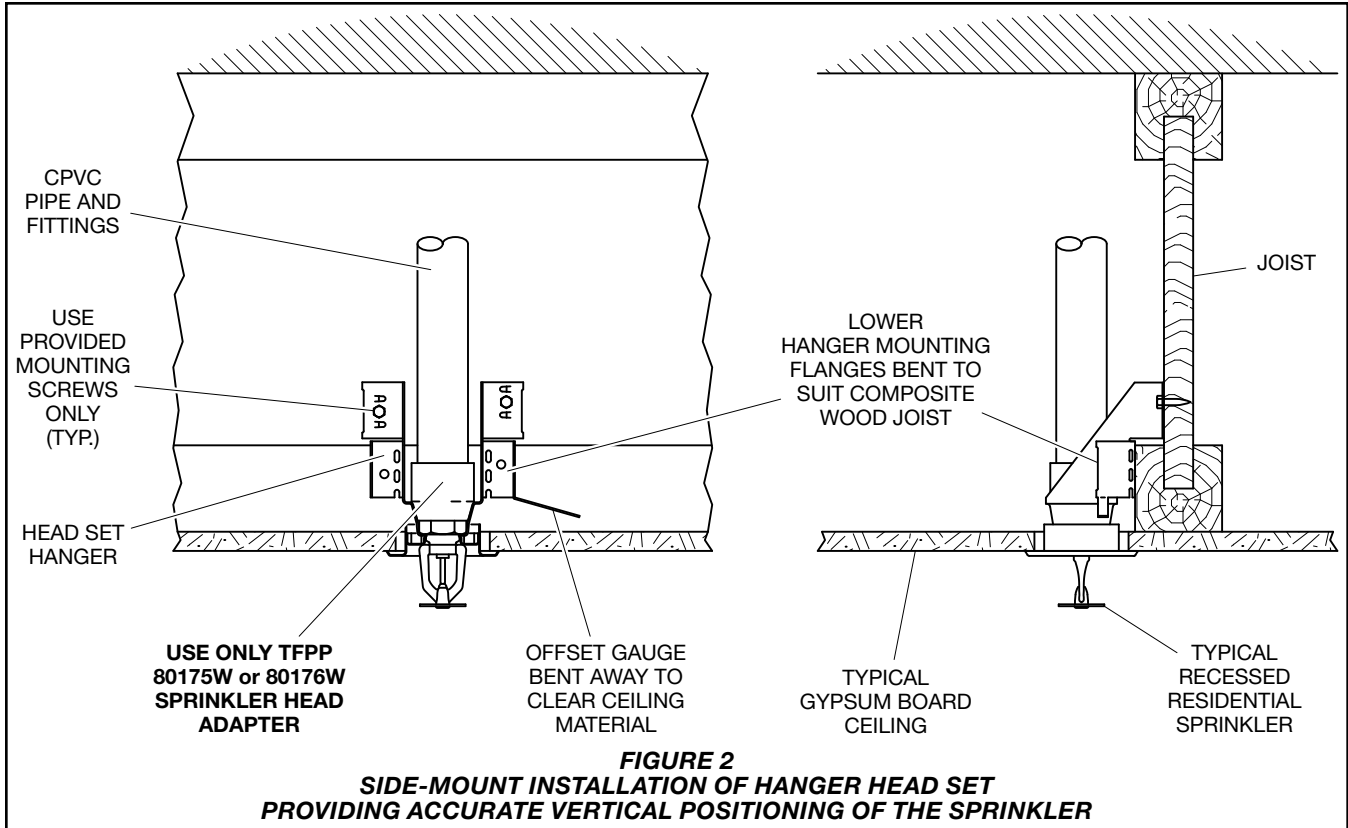
Step 7. Insert the sprinkler inlet pipe threads through the head set cup and thread into CPVC adapters using the instructions provided in the technical data sheet for the sprinkler, and Technical Data Sheet TFP700 for the "INSTALLER WARNING".



ON SOLID WOOD JOISTS,
 USE SCREW POSITIONS
 1 + 2, 1 + 4, or 2 + 3



ON COMPOSITE WOOD JOISTS,
 USE SCREW POSITIONS 1 + 2



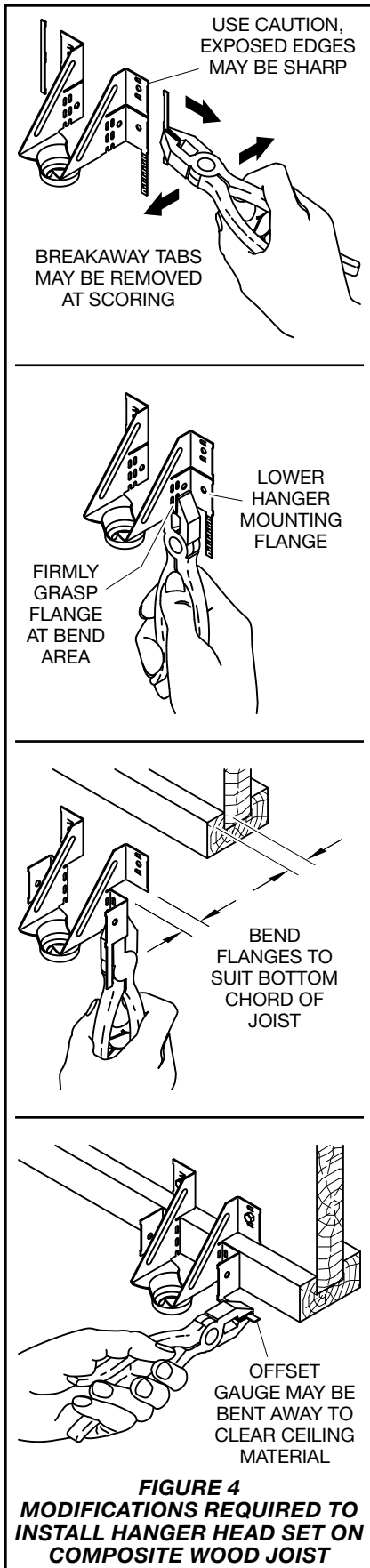


FIGURE 4
MODIFICATIONS REQUIRED TO
INSTALL HANGER HEAD SET ON
COMPOSITE WOOD JOIST

Care and Maintenance

The owner is responsible for the inspection, testing, and maintenance of their fire protection system and devices in compliance with this document, as well as with the applicable standards of the NATIONAL FIRE PROTECTION ASSOCIATION such as NFPA 25, in addition to the standards of any authority having jurisdiction. The installing contractor or product manufacturer should be contacted relative to any questions.

Automatic sprinkler systems should be inspected, tested, and maintained by a qualified Inspection Service in accordance with local requirements and/or national codes.

Limited Warranty

For warranty terms and conditions, visit www.tyco-fire.com.

Ordering Procedure

Contact your local distributor for availability. When placing an order, indicate the full product name and Part Number (P/N).

Hanger Head Set

Hanger Head Sets are provided in box quantities of 100. Orders placed should be for full box quantities.

Specify: Model SHB1 Hanger Head Set, P/N HS2

Sprinkler Head Adapter

Specify: Johnson Control West Coast style Sprinkler Head Adapter, size (specify), P/N (specify):

3/4 in. x 1/2 in. NPT.....	80175W
1 in. x 1/2 in. NPT.....	80176W
3/4 in. x 1/2 in. NPT.....	80175RS2
1 in. x 1/2 in. NPT.....	80176RS2