

MODEL ESFR-25

Early Suppression, Fast Response Pendent Sprinklers

**48 ft (14,6 m) Ceiling
Storage Protection**

5 ft (1,5 m) Aisle Width

**100 ft² (9,3 m²) Maximum
Coverage Area**

**Wide Variety
of Commodities**



Features & Benefits:

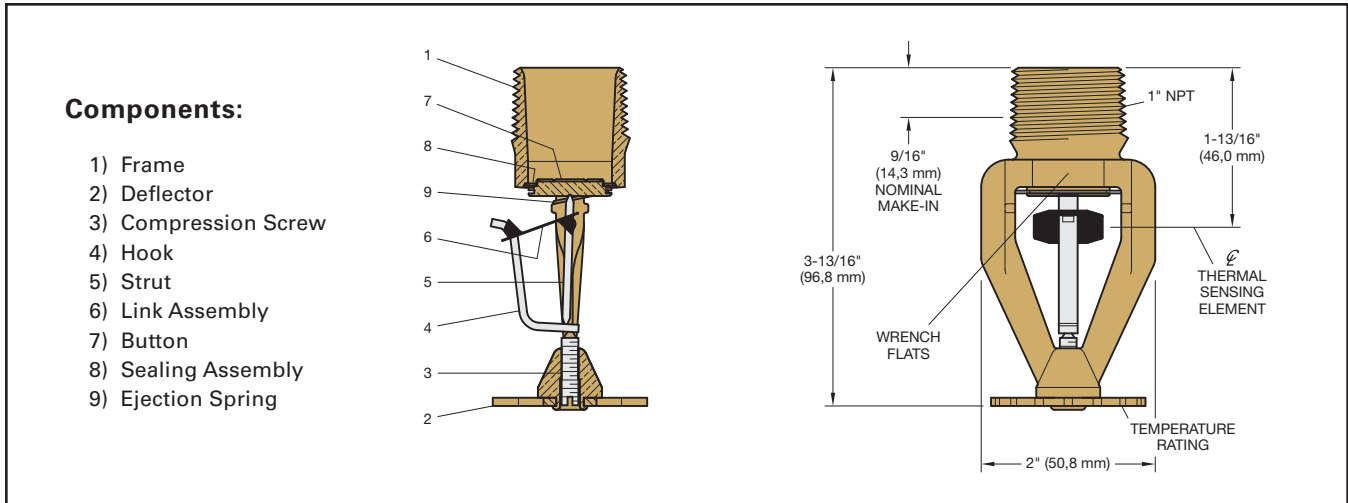
- // 5 ft (1,5m) Aisle Width
- // 48 ft (14,6 m) Ceiling-only protection of cartoned unexpanded plastic
- // 40 ft (12,2 m) Ceiling-only protection of expanded plastics
- // Commodity flexibly
- // Storage arrangement flexibility
- // Low operating pressure
- // Available in 165°F (74°C) and 212°F (101°C) temperature ratings

As the building owner or engineering firm you want a fire protection solution that doesn't limit storage flexibility and provides maximum adaptability to meet a wide range of storage needs. Today, the building maybe is used by an electrical distributor storing products which may include electric motors and PVC covered wire. Tomorrow however, it could change, and it will be an information management company storing paper documents in boxes or a furniture retailer with mattresses and couches.

The TYCO Model ESFR-25 provides suppression mode performance with ceiling-only fire protection for a wide variety of commodities and storage arrangements. These capabilities can assist your ability to lease to the widest range of occupiers.

As a fire protection design-build contractor you want a solution that meets your clients' needs at the lowest possible cost. Many clients are not fire protection professionals, you help them to clarify their needs and suggest changes that increase the real estate value and operational efficiency of a facility.

The TYCO Model ESFR-25 provides suppression mode performance with ceiling-only fire protection that can eliminate the need for in-rack sprinklers for many applications. The sprinkler is an ideal solution to offer the most flexibility during the life of the building.



COMMODITY SELECTION AND DESIGN CRITERIA OVERVIEW FOR MODEL ESFR-25 PENDENT SPRINKLERS

Application	NFPA	FM Global	BS EN12845	UL Specific Application Listing 48 ft (14,4 m) ceiling
Palletized, Solid Piled Storage of Class 1 through Class IV Commodities	NFPA 13 Chapter 14	8-9	TB209	TFP312
Palletized, Solid Piled Storage of Cartoned Unexpanded Plastic	NFPA 13 Chapter 15	8-9	TB209	TFP312
Palletized, Solid Piled Storage of Exposed Unexpanded Plastic	NFPA 13 Chapter 15	8-9	TB209	N/A
Palletized, Solid Piled Storage of Cartoned and Exposed Expanded Plastic	NFPA 13 Chapter 15	8-9 ONLY Tyco Model ESFR-25 available at 40 ft (12.0 m) ceiling	TB209	N/A
Open Frame Rack Storage of Class 1 through Class IV Commodities	NFPA 13 Chapter 16	8-9	TB209	TFP312
Open Frame Rack Storage of Cartoned Unexpanded Plastic	NFPA 13 Chapter 17	8-9	TB209	TFP312
Open Frame Rack Storage of Exposed Unexpanded Plastic	NFPA 13 Chapter 17	8-9	TB209	N/A
Open Frame Rack Storage of Cartoned Expanded Plastic	NFPA 13 Chapter 17	8-9 ONLY Tyco Model ESFR-25 available at 40 ft (12.0 m) ceiling	TB209	N/A
Open Frame Rack Storage of Exposed Expanded Plastic	Outside the Scope of NFPA 13 Chapter 17	8-9 ONLY Tyco Model ESFR-25 available at 40 ft (12.0 m) ceiling	N/A	N/A
Idle Pallet	NFPA 13, Chapter 21	8-24	TB215	N/A
Rubber Tire	NFPA 13, Chapter 18	8-3	TB209	N/A
Ignitable Liquid Storage	NFPA 30	7-29	N/A	N/A
Storage of Aerosol Products	NFPA 30B	7-31	N/A	N/A
Record Storage	NFPA 13 Chapter 20.7		N/A	N/A
Roll Paper Storage	NFPA 13 Chapter 19	8-21	TB209	N/A
Rolled Nonwoven Fabric	N/A	8-23	N/A	N/A
Carpet Storage	N/A	8-30	N/A	N/A
Automotive Components in Portable Racks	NFPA 13 Chapter 20.2	N/A	N/A	N/A
Non-Storage Applications	N/A	3-26	N/A	N/A

N/A = Not Applicable

In all cases, the Tyco technical data sheet TFP312 and the appropriate NFPA, FM, LPCB installation standard, or other applicable standard, must be referenced to ensure applicability and to obtain complete installation guidelines. The general guidelines in this document are not intended to provide complete installation criteria and are subject to change without notice.

Always refer to the Technical Data Sheet TFP312 and our general T & C of sale for complete description of all listing criteria, design parameters, installation instructions, care and maintenance guidelines, and other terms such as our limited warranty.