

Series RFII-MRI — 5.6 K-factor Non-Magnetic Concealed Pendent Sprinklers Quick & Standard Response, Standard Coverage

General Description

The TYCO Series RFII-MRI 5.6 K-factor, Non-Magnetic Concealed Pendent Sprinklers Quick Response (3 mm bulb) and Standard Response (5 mm bulb), are decorative sprinklers featuring a flat cover plate designed to conceal the sprinkler.

The RFII-MRI Sprinkler is intended for use inside of the MRI environment, that is, in the MR system room and close to the scanner unit. However, this sprinkler is not intended for use directly inside of the MR system, such as within the bore of the scanner unit. During the intended use, the RFII-MRI Sprinkler must be mounted at the ceiling to the fixed fire protection piping system of the MR system room. Under these conditions, per non-clinical testing to ASTM F2052-15, the RFII-MRI Sprinkler was found to be acceptable for use under a static magnetic field of 7-Tesla or less. Standard MRI apparatus are typically in the 3 Tesla range.

Each sprinkler is comprised of separately ordered components: a Cover Plate/Retainer Assembly and a Sprinkler/Support Cup Assembly. The separable, two-piece assembly design provides the following benefits:

- Allows installation of the sprinklers and pressure testing of the fire protection system prior to installation of a suspended ceiling or application of the finish coating to a fixed ceiling.

IMPORTANT

Refer to Technical Data Sheet TFP2300 for warnings pertaining to regulatory and health information.

Always refer to Technical Data Sheet TFP700 for the "INSTALLER WARNING" that provides cautions with respect to handling and installation of sprinkler systems and components. Improper handling and installation can permanently damage a sprinkler system or its components and cause the sprinkler to fail to operate in a fire situation or cause it to operate prematurely.

- Permits the removal of suspended ceiling panels for access to building service equipment without having to first shut down the fire protection system and remove sprinklers.
- Provides for 1/2 in. (12,7 mm) of vertical adjustment to allow a measure of flexibility in determining the length of fixed piping to cut for the sprinkler drops.

The RFII-MRI Sprinklers are shipped with a Disposable Protective Cap. The Protective Cap is temporarily removed during installation and replaced to help protect the sprinkler during ceiling installation or finish. The tip of the Protective Cap can be used to mark the center of the ceiling hole into plaster board or ceiling tiles by gently pushing the ceiling product against the Protective Cap. When ceiling installation is complete, the Protective Cap is removed and the Cover Plate/Retainer Assembly is installed.

As an option, the RFII-MRI Standard Response (5 mm bulb) Sprinkler can be fitted with a silicone Air and Dust Seal, see Figure 5. The Air and Dust Seal is intended for sensitive areas where it is desirable to prevent air and dust from the area above the ceiling to pass through the cover plate.

NOTICE

The RFII-MRI Sprinklers described herein must be installed and maintained in compliance with this document and with the applicable standards of the NATIONAL FIRE PROTECTION ASSOCIATION (NFPA), in addition to the standards of any authorities having jurisdiction. Failure to do so may impair the performance of these devices.

The owner is responsible for maintaining their fire protection system and devices in proper operating condition. The installing contractor or sprinkler manufacturer should be contacted with any questions.



Sprinkler Identification Number (SIN)

TY3530 — 3 mm bulb
TY3550 — 5 mm bulb

Technical Data

Sprinkler Approvals

TY3530 (3 mm bulb)

- UL Listed, C-UL listed as quick response
- FM approved as standard response

TY3550 (5 mm bulb)

- UL listed, C-UL listed, and FM approved as standard response

Note: FM does not approve concealed sprinklers for quick response.

Note: Approvals apply only to the service conditions indicated in the Design Criteria section.

Air and Dust Seal Approvals

UL and C-UL Listed
Standard Response (TY3550) application only

Maximum Working Pressure

Maximum 175 psi (12,1 bar)

Temperature Rating

155°F (68°C) Sprinkler with
139°F (59°C) Plate

200°F (93°C) Sprinkler with
165°F (74°C) Plate

Discharge Coefficient

K= 5.6 GPM/psi^{1/2} (80,6 LPM/bar^{1/2})

Adjustment

1/2 in. (12,7 mm)

Finishes

See the Ordering Procedure section.

Physical Characteristics

Frame	Bronze
Support Cup	Brass
Guide Pins	Stainless Steel
Deflector	Bronze
Compression Screw	Brass
Bulb	Glass
Cap	Bronze or Copper
Sealing Assembly ..	Beryllium Nickel w/TEFLON
Cover Plate	Brass
Retainer	Brass
Ejection Spring	Stainless Steel

Design Criteria

The Series RFII-MRI Concealed Pendent Sprinklers are intended for fire protection systems designed in accordance with the standard installation rules recognized by the applicable Listing or Approval agency; for example, UL Listing is based on NFPA 13.

The RFII-MRI Sprinklers are only listed with the Series RFII-MRI Concealed Cover Plates having a factory applied finish.

NOTICE

Do not use the RFII-MRI Sprinklers in applications where the air pressure above the ceiling is greater than that

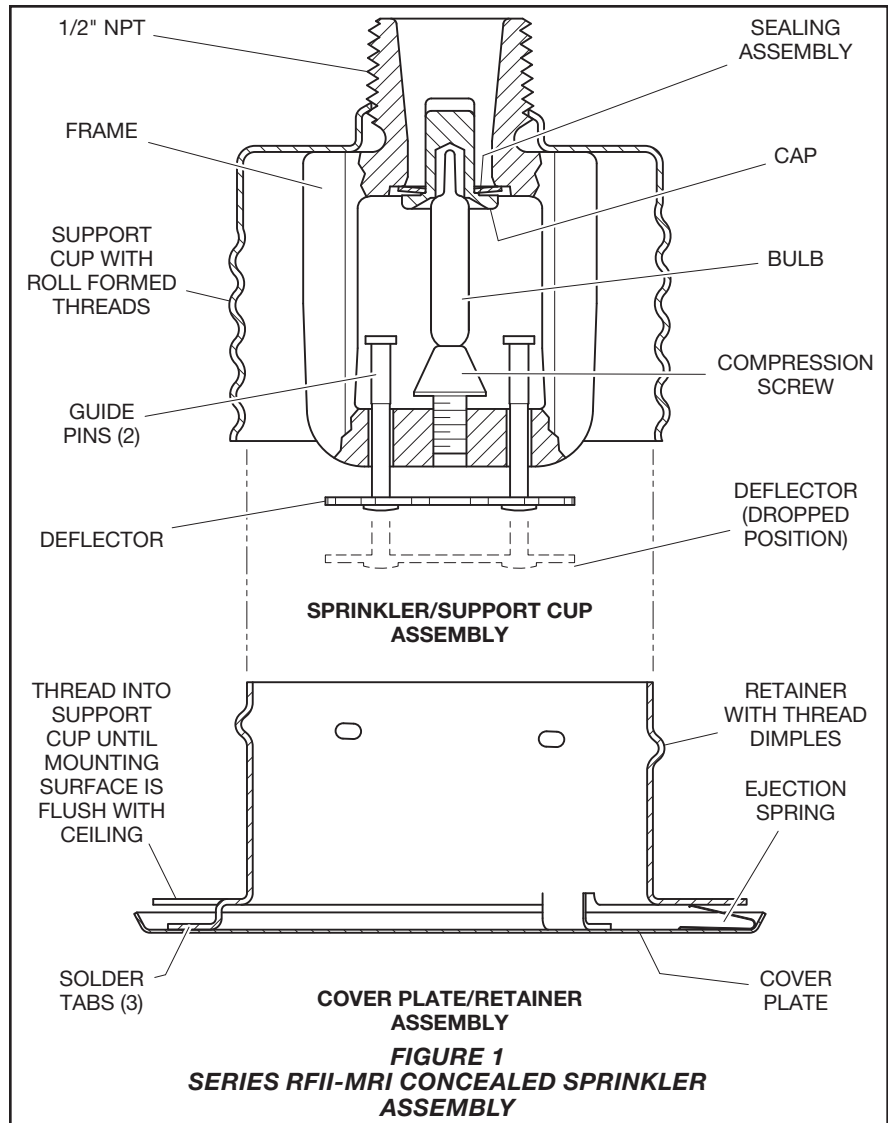


FIGURE 1
SERIES RFII-MRI CONCEALED SPRINKLER ASSEMBLY

below. Down drafts through the Sprinkler/Support Cup Assembly can delay sprinkler operation in a fire situation.

Operation

When exposed to heat from a fire, the Cover Plate, normally soldered to the Retainer at three points, falls away to expose the Sprinkler/Support Cup Assembly.

The Deflector — supported by the Guide Pins — then drops down to its operational position.

The glass bulb contains a fluid that expands when exposed to heat. When the rated temperature is reached, the fluid expands sufficiently to shatter the glass bulb, activating the sprinkler and allowing water to flow.

Installation

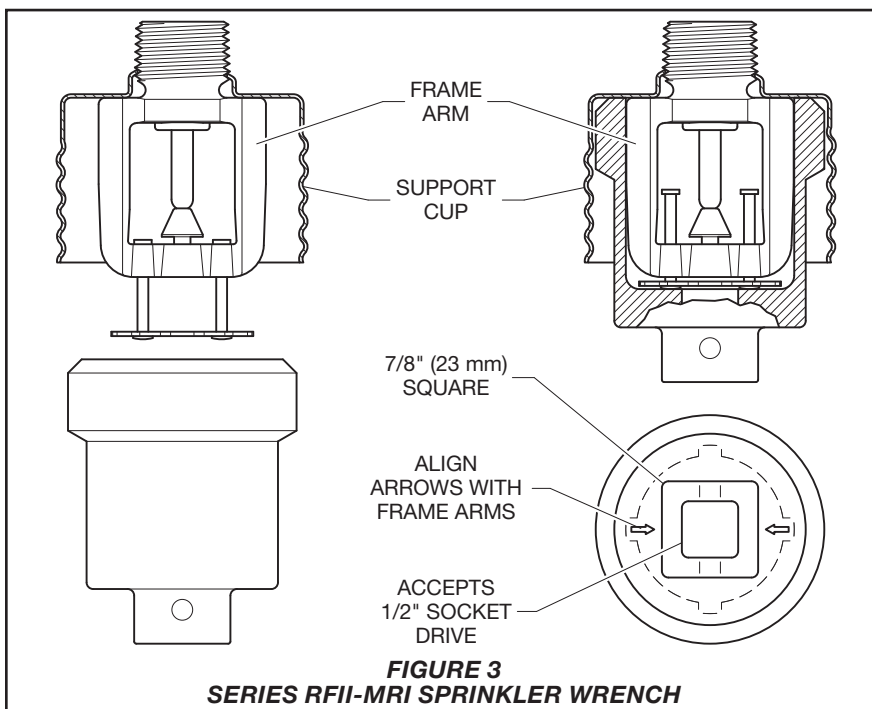
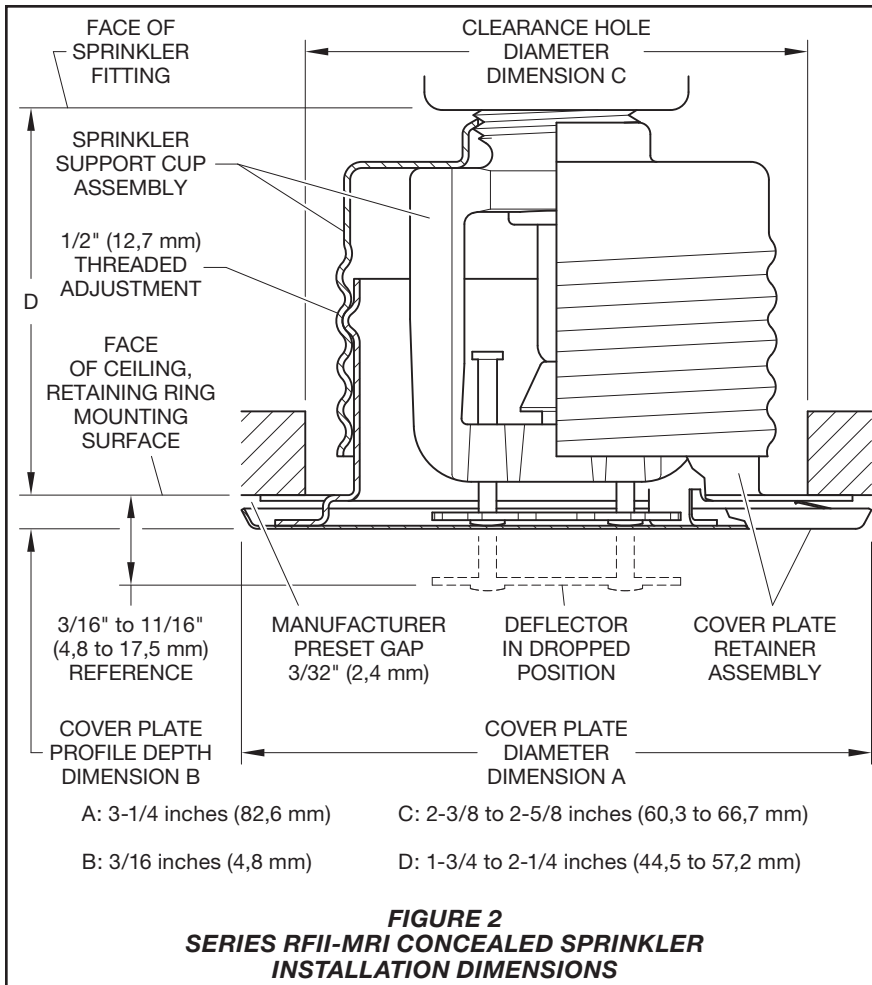
The Series RFII-MRI Concealed Pendent Sprinklers must be installed in accordance with this section.

General Instructions

Do not install any bulb-type sprinkler if the bulb is cracked or there is a loss of liquid from the bulb. With the sprinkler held horizontally, a small air bubble should be present. The diameter of the air bubble is approximately 1/16 in. (1,6 mm) for the 155°F (68°C) and 3/32 in. (2,4 mm) for the 200°F (93°C) temperature ratings.

A leak-tight 1/2 in. NPT sprinkler joint should be obtained by applying a minimum to maximum torque of 7 to 14 lb-ft (9,5 to 19,0 N-m). Higher levels of torque can distort the sprinkler Inlet with consequent leakage or impairment of the sprinkler.

Do not attempt to compensate for insufficient adjustment in the Sprinkler



by under- or over-tightening the Sprinkler/Support Cup Assembly. Re-adjust the position of the sprinkler fitting to suit.

Step 1. Install the sprinkler only in the pendent position with the center-line of the sprinkler perpendicular to the mounting surface.

Step 2. Remove the Protective Cap.

Step 3. With pipe thread sealant applied to the pipe threads, hand-tighten the sprinkler into the sprinkler fitting.

Step 4. Wrench-tighten the sprinkler using only the RFII Sprinkler Wrench, see Figure 3. Apply the RFII Sprinkler Wrench to the Sprinkler as shown in Figure 3.

Step 5. Replace the Protective Cap by pushing it upwards until it bottoms out against the Support Cup, see Figure 4. The Protective Cap helps prevent damage to the Deflector and Arms during ceiling installation and/or finish. You can also use the Protective Cap to locate the center of the clearance hole by gently pushing the ceiling material up against the center point of the Protective Cap.

NOTICE

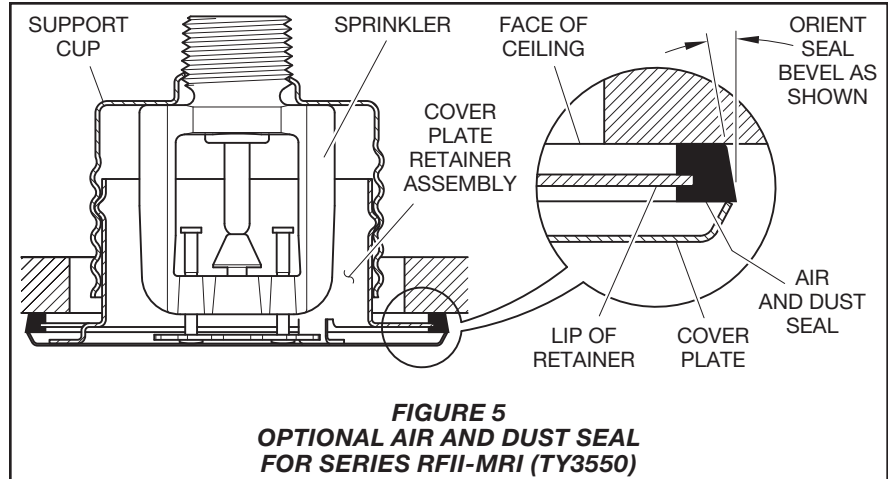
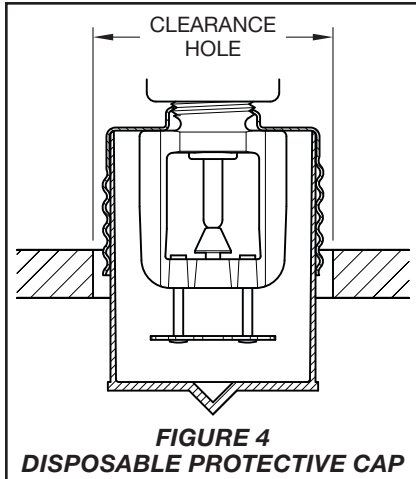
As long as the Protective Cap remains in place, the system is considered "Out of Service".

Step 6. After the ceiling has been completed with the 2-1/2 in. (63,5 mm) diameter clearance hole and in preparation for installing the Cover Plate/Retainer Assembly, remove and discard the Protective Cap. Verify that the Deflector moves up and down freely.

If the Sprinkler is damaged and the Deflector does not move up and down freely, replace the entire Sprinkler. Do not attempt to modify or repair a damaged sprinkler.

Step 7. When installing an Air and Dust Seal, see Figure 5; otherwise, proceed to Step 8. To attach the Air and Dust Seal, verify the angle of the outside edge of the seal is oriented according to Figure 5. Start the edge of the Retainer in the grooved slot of the Air and Dust Seal and continue around the retainer until the entire Air and Dust Seal is engaged.

Step 8. Screw on the Cover Plate/Retainer Assembly until the Retainer, shown in Figure 2, or the Air and Dust Seal, shown in Figure 5, contacts the ceiling. Do not continue to screw on the Cover Plate/Retainer Assembly so that it lifts a ceiling panel out of its normal position. If you cannot engage the Cover Plate/Retainer Assembly with the Support Cup or you cannot engage the Cover Plate/Retainer Assembly sufficiently to contact the ceiling, you must reposition the Sprinkler Fitting.



Care and Maintenance

The Series RFII-MRI Concealed Pendent Sprinklers must be maintained and serviced in accordance with this section.

Before closing a fire protection system main control valve for maintenance work on the fire protection system that it controls, obtain permission to shut down the affected fire protection system from the proper authorities and notify all personnel who may be affected by this action.

Absence of the Cover Plate/Retainer Assembly can delay sprinkler operation in a fire situation.

When properly installed, there is a nominal 3/32 in. (2,4 mm) air gap between the lip of the Cover Plate and the ceiling, as shown in Figure 2.

This air gap is necessary for proper operation of the sprinkler. If the ceiling requires repainting after sprinkler installation, ensure that the new paint does not seal off any of the air gap.

Do not pull the Cover Plate relative to the Enclosure. Separation may result.

Sprinklers which are found to be leaking or exhibiting visible signs of corrosion must be replaced.

Automatic sprinklers must never be painted, plated, coated, or otherwise altered after leaving the factory.

Modified sprinklers must be replaced. Sprinklers that have been exposed to corrosive products of combustion, but have not operated, should be replaced if they cannot be completely cleaned by wiping the sprinkler with a cloth or by brushing it with a soft bristle brush.

Exercise care to avoid damage to sprinklers before, during, and after installation. Replace sprinklers damaged by dropping, striking, wrench twisting, wrench slipping, or the like. Also, replace any sprinkler that has a cracked bulb or that has lost liquid from its bulb. (See the Installation section.)

If you must remove a sprinkler, do not reinstall it or a replacement without reinstalling the Cover Plate/Retainer Assembly. If a Cover Plate/Retainer Assembly becomes dislodged during service, replace it immediately.

The owner is responsible for the inspection, testing, and maintenance of their fire protection system and devices in compliance with this document, as well as with the applicable standards of the NATIONAL FIRE PROTECTION ASSOCIATION (NFPA) - for example, NFPA 25 - in addition to the standards of any other authorities having jurisdiction. Contact the installing contractor or sprinkler manufacturer regarding any questions.

Automatic sprinkler systems should be inspected, tested, and maintained by a qualified Inspection Service in accordance with local requirements and/or national code.

Limited Warranty

For warranty terms and conditions, visit www.tyco-fire.com.

Ordering Procedure

Contact your local distributor for availability. When placing an order, indicate the full product name.

Sprinkler/Support Cup Assembly
Specify: Series RFII-MRI (specify SIN), K=5.6, Pendent Sprinkler, (specify) temperature rating, P/N (specify):

	155°F (68°C)	200°F (93°C)
TY3530	51-800-1-155	51-800-1-200
TY3550	51-801-1-155	51-801-1-200

Separately Ordered Cover Plate/Retainer Assembly:
Specify: (temperature rating from below) Non-Magnetic Series RFII-MRI Concealed Cover Plate with (specify) finish, P/N (specify):

	139°F (59°C) ^a	165°F (74°C) ^b
Grey White (RAL9002)	56-794-0-135	56-794-0-165
Brass	56-794-1-135	56-794-1-165
Signal White (RAL9003)	56-794-4-135	56-794-4-165
Jet Black (RAL9005)	56-794-6-135	59-794-6-165
Custom	56-794-X-135	56-794-X-165

a. For use with 155°F (68°C) sprinklers.
b. For use with 200°F (93°C) sprinklers.

Sprinkler Wrench
Specify: RFII Sprinkler Wrench, P/N 56-000-1-075

Air and Dust Seal
Specify: Air and Dust Seal, P/N 56-908-1-001