

Series RFII-C — 5.6 K-factor Special Application Royal Flush II Quick Response Concealed Pendent Sprinklers for Corridors and Hallways

General Description

The TYCO Series RFII-C, 5.6 K-factor Special Application Royal Flush II Quick Response Concealed Pendent Sprinklers for Corridors and Hallways of Light Hazard Occupancies are decorative, 3 mm bulb-type sprinklers featuring a flat cover plate designed to conceal the sprinkler. These sprinklers are specifically designed for use in long, narrow spaces such as corridors or hallways with a maximum coverage area of 28 ft by 10 ft (8,5 m x 3,1 m). Fewer sprinklers and lower system pressure demands are required as compared to the traditional extended coverage sprinklers.

The Series RFII-C sprinklers are intended for use in automatic sprinkler systems designed in accordance with standard installation rules such as NFPA 13. The fast-response thermal sensitivity rating of the Series RFII-C sprinkler provides for a Quick Response, Extended Coverage (QREC) rating up to a 28 ft x 10 ft (8,5 m x 3,1 m) maximum coverage area.

Each sprinkler includes a cover plate/retainer assembly and a sprinkler/support cup assembly. The separable, two-piece assembly design provides the following benefits:

- Allows installation of the sprinklers and pressure testing of the fire protection system prior to installation of

a suspended ceiling or application of the finish coating to a fixed ceiling.

- Permits the removal of suspended ceiling panels for access to building service equipment without having to first shut down the fire protection system and remove sprinklers.
- Provides for 1/2 in. (12,7 mm) of vertical adjustment to allow a measure of flexibility in determining the length of fixed piping to cut for the sprinkler drops.

The Series RFII-C sprinklers are shipped with a disposable protective cap. The protective cap is temporarily removed during installation and replaced to help protect the sprinkler during ceiling installation or finish. The tip of the protective cap can be used to mark the center of the ceiling hole into plaster board or ceiling tiles by gently pushing the ceiling product against the protective cap. When ceiling installation is complete, the protective cap is removed and the cover plate/retainer assembly is installed.

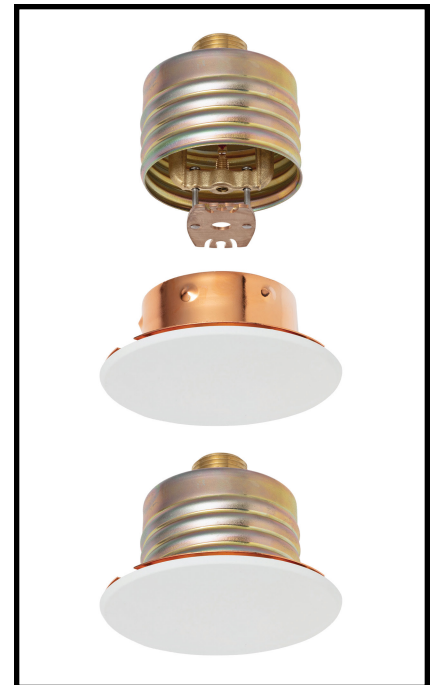
NOTICE

The TYCO Series RFII-C, 5.6 K-factor Special Application Royal Flush II Quick Response Concealed Pendent Sprinklers described herein must be installed and maintained in compliance with this document and with the applicable standards of the NATIONAL FIRE PROTECTION ASSOCIATION (NFPA), in addition to the standards of any authorities having jurisdiction. Failure to do so may impair the performance of these devices.

The owner is responsible for maintaining their fire protection system and devices in proper operating condition. Contact the installing contractor or product manufacturer with any questions.

Sprinkler Identification Number (SIN)

TY3582



Technical Data

Approvals

UL Listed

Maximum Working Pressure

250 psi (17,2 bar)

Discharge Coefficient

K = 5.6 gpm/psi^{1/2} (80 Lpm/bar^{1/2})

Temperature Rating

155°F (68°C) Sprinkler; 139°F (59°C) Plate

200°F (93°C) Sprinkler; 165°F (74°C) Plate

Adjustment

1/2 in. (12,7 mm)

Finishes

See the Ordering Procedure section

Physical Characteristics

Frame	Bronze
Support Cup	Plated Steel
Guide Pins	Stainless Steel
Deflector	Brass
Compression Screw	Brass
Bulb	Glass
Cap	Bronze or Copper
Sealing Assembly	Beryllium Nickel w/TEFLON
Cover Plate	Brass
Retainer	Brass
Ejection Spring	Stainless Steel

IMPORTANT

Refer to Technical Data Sheet TFP2300 for warnings pertaining to regulatory and health information.

Always refer to Technical Data Sheet TFP700 for the "INSTALLER WARNING" that provides cautions with respect to handling and installation of sprinkler systems and components. Improper handling and installation can permanently damage a sprinkler system or its components and cause the sprinkler to fail to operate in a fire situation or cause it to operate prematurely.

Design Criteria

The TYCO Series RFII-C, 5.6 K-factor Special Application Royal Flush II Quick Response Concealed Pendent Sprinklers are UL Listed for use in light hazard occupancies, using the design criteria in Table A, based on maintaining the minimum specified flow rate as a function of coverage area for all of the sprinklers in the design area.

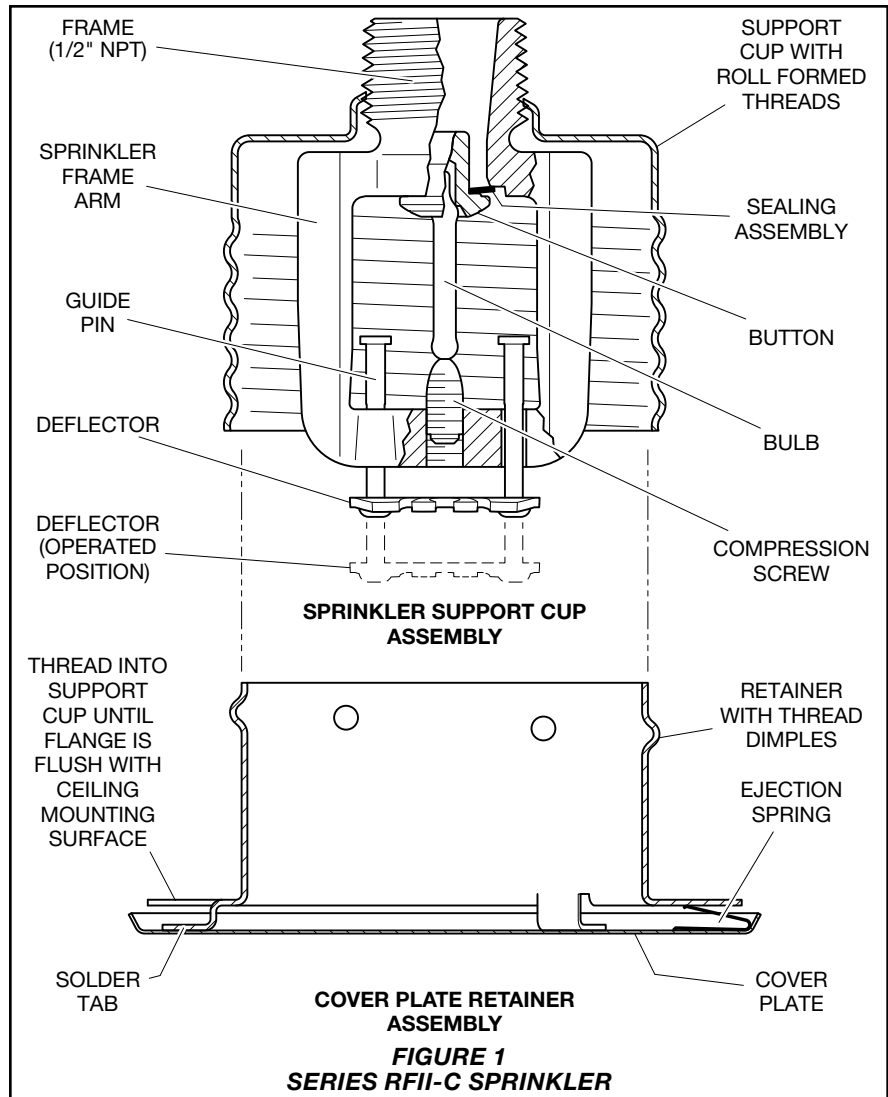
UL Listing Requirements

1. The Series RFII-C sprinklers may be used for the coverage areas shown in Table A, based on maintaining the minimum specified flow rate as a function of coverage area for all of the sprinklers in the design area.
2. With respect to heat sensitivity, the Series RFII-C sprinklers can be used with unobstructed construction consisting of flat, smooth ceilings (including bar joists) with a maximum pitch of one in six as defined and permitted by NFPA 13.
3. The minimum allowable spacing between the Series RFII-C sprinklers, to prevent cold soldering, is 12 ft (3,7 m) in the 28 ft (8,5 m) long spray direction.
4. The Series RFII-C sprinklers must not be installed with the short spray direction, 8 ft (2,4 m) or 10 ft (3,1 m), oriented towards another Series RFII-C sprinkler or a Series EC-8C pendent sprinkler's short spray direction. For more information, see Figure 3.
5. The Series RFII-C sprinklers must be installed in accordance with all other requirements of NFPA 13 for extended coverage pendent sprinklers.

Note: The Series RFII-C sprinklers are only listed and approved with the Series RFII concealed cover plates with a factory-applied finish.

NOTICE

Do not use the TYCO Series RFII-C, 5.6 K-factor Special Application Royal Flush II Quick Response Concealed Pendent Sprinklers in applications where the air pressure above the ceiling is greater than that below. Down drafts through the Sprinkler/Support Cup Assembly can delay sprinkler operation in a fire situation.



Description	Coverage Area	Flow Rate	Pressure
TY3582 (K=5.6) Concealed Sprinkler	28 ft x 8 ft (8,5 m x 2,4 m)	23 gpm (87,1 Lpm)	16.9 psi (1,2 bar)
	28 ft x 10 ft (8,5 m x 3,1 m)	28 gpm (106 Lpm)	25 psi (1,7 bar)

Note: For coverage area dimensions less than or between those listed, use the minimum flow required for the next highest coverage area.

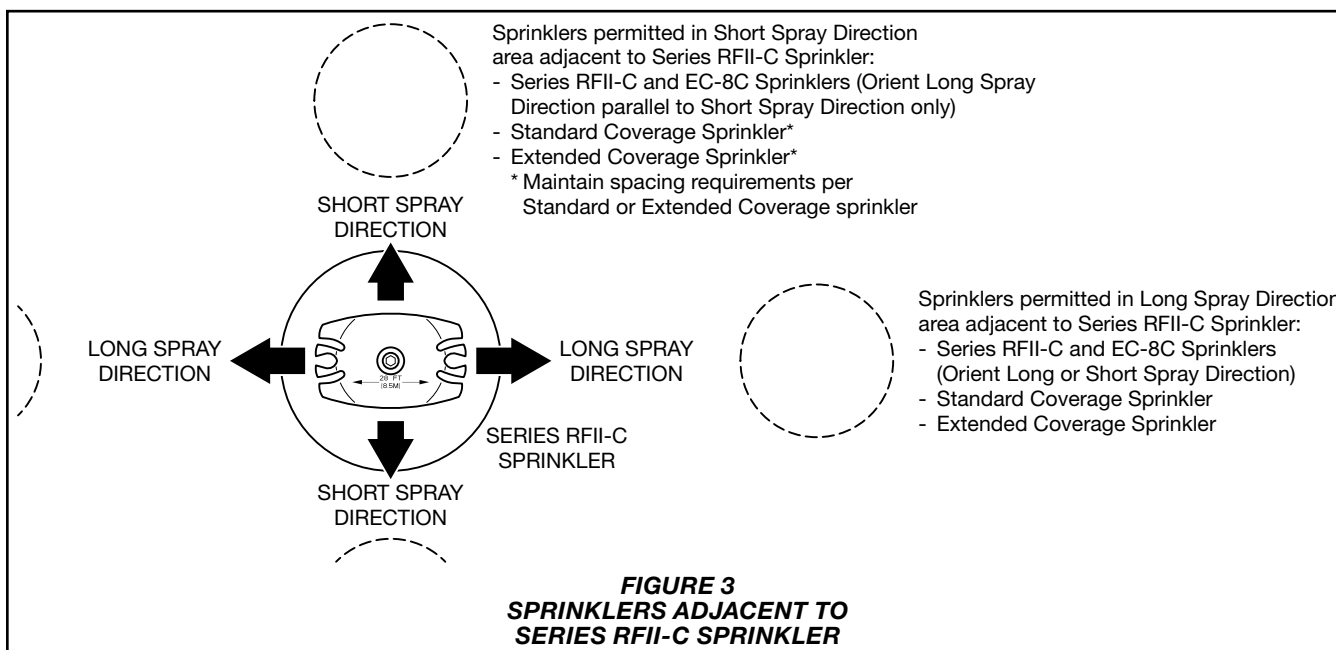
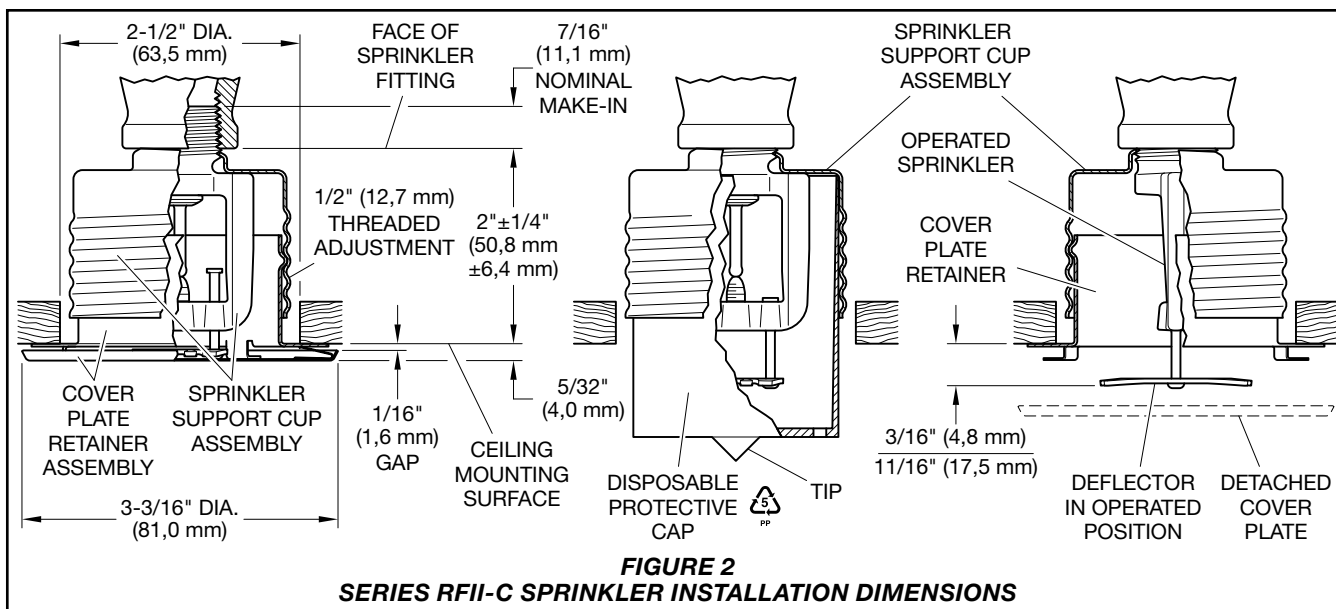
TABLE A
SERIES RFII-C (TY3582)
FLOW CRITERIA FOR UL LISTING

Operation

When exposed to heat from a fire, the cover plate, which is normally soldered to the Retainer at three points, falls away to expose the sprinkler/support cup assembly.

The deflector, supported by the guide pins, then drops down to its operational position.

The glass bulb contains a fluid that expands when exposed to heat. When the rated temperature is reached, the fluid expands sufficiently to shatter the glass bulb, activating the sprinkler and allowing water to flow.



Installation

The TYCO Series RFII-C, 5.6 K-factor Special Application Royal Flush II Quick Response Concealed Pendent Sprinklers must be installed in accordance with this section.

General Instructions

Do not install any bulb-type sprinkler if the bulb is cracked or there is a loss of liquid from the bulb. With the sprinkler held horizontally, a small air bubble should be present. The diameter of the air bubble is approximately 1/16 in. (1,6 mm) for the 155°F (68°C) and 3/32 in. (2,4 mm) for the 200°F (93°C) temperature ratings.

Obtain a 1/2 in. NPT sprinkler joint by applying a minimum to maximum torque of 7 lb-ft to 14 lb-ft (9,5 N·m to 19,0 N·m). Higher levels of torque can distort the sprinkler inlet with consequent leakage or impairment of the sprinkler.

Do not attempt to compensate for insufficient adjustment in the sprinkler by under- or over-tightening the Sprinkler/Support Cup Assembly. Re-adjust the position of the sprinkler fitting to suit.

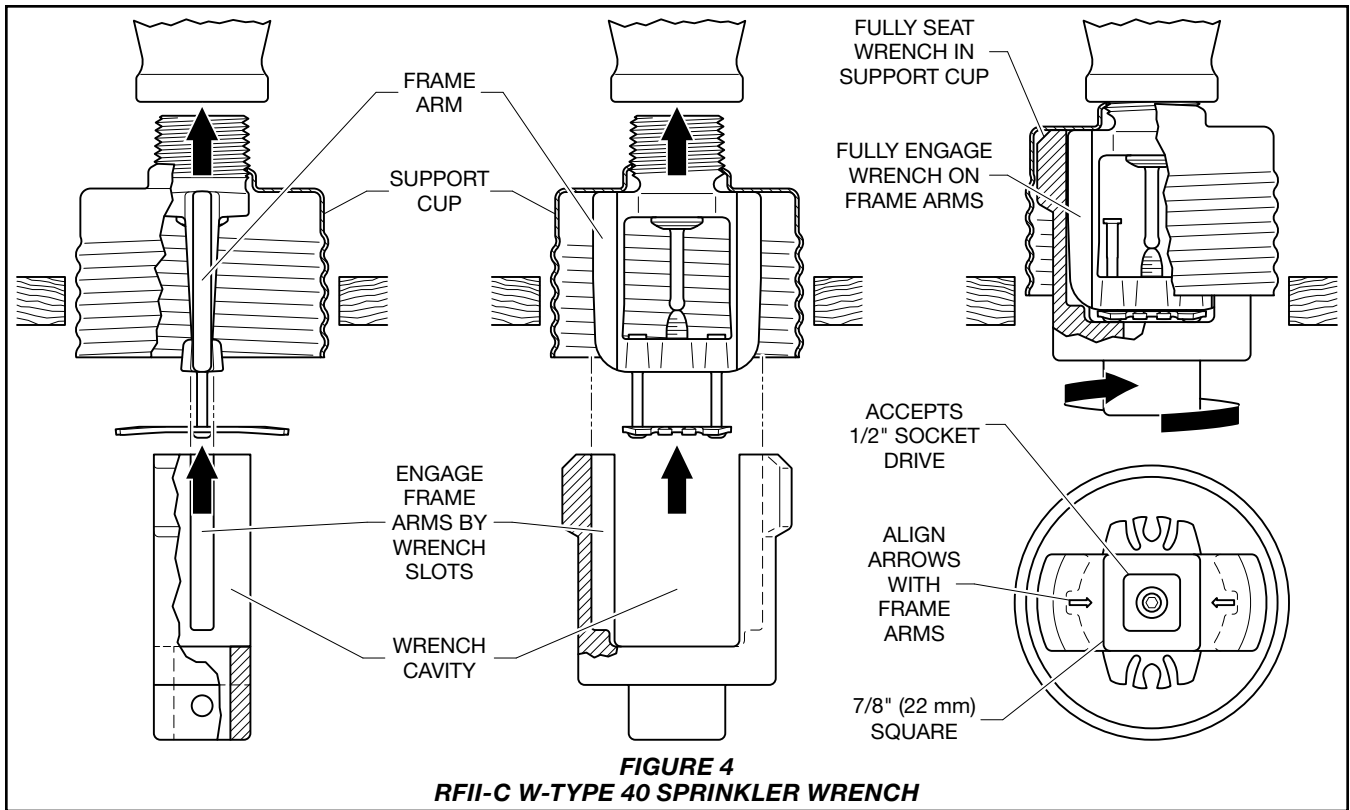


FIGURE 4
RFII-C W-TYPE 40 SPRINKLER WRENCH

Step 1. Install the sprinkler only in the pendent position with the centerline of the sprinkler perpendicular to the mounting surface.

Note: The sprinkler must be installed with the deflector parallel to the mounting surface. The deflector is marked with <-28 FT (8,5 M)-> to indicate the direction of the 28 ft (8,5 m) coverage length. The frame arms do not need to be aligned parallel to the sprinkler pipe.

Step 2. Remove the protective cap.

Step 3. Apply pipe thread sealant to the pipe threads, and hand-tighten the sprinkler into the sprinkler fitting.

Step 4. Wrench tighten the deflector using only the W-Type 40 Sprinkler Wrench shown in Figure 4 so that the marking <-28 FT (8,5 M)-> on the deflector is in the direction of the 28 ft (8,5 m) coverage length. The

frame arms do not need to be aligned parallel to the sprinkler pipe. Apply the W-Type 40 sprinkler wrench to the sprinkler as shown in Figure 4.

Step 5. Replace the protective cap by pushing it upwards until it bottoms out against the support cup as shown in Figure 4.

The protective cap helps prevent damage to the deflector and frame arms when installing or finishing the ceiling. You can also use it to locate the center of the clearance hole by gently pushing the ceiling material up against the center point of the protective cap.

NOTICE

As long as the protective cap remains in place, the system is considered "Out of Service".

Step 6. When the ceiling is complete with the 2-1/2 in. (63,5 mm) diameter clearance hole; to prepare for installing the cover plate/retainer assembly, remove and discard the protective cap.

Verify that the deflector moves up and down freely. If the sprinkler is damaged and the deflector does not move up and down freely, replace the entire sprinkler. Do not attempt to modify or repair a damaged sprinkler.

Step 7. Screw on the cover plate/retainer assembly until its flange makes contact with the ceiling. Do not continue to screw on the cover plate/retainer assembly so that it lifts a ceiling panel out of its normal position. If you cannot engage the cover plate/retainer assembly with the support cup or you cannot engage the cover plate/retainer assembly sufficiently to contact the ceiling, you must reposition the sprinkler fitting.

Care and Maintenance

The TYCO Series RFII-C, 5.6 K-factor Special Application Royal Flush II Quick Response Concealed Pendent Sprinklers must be maintained and serviced in accordance with this section.

Before closing a fire protection system main control valve for maintenance work on the fire protection system that it controls, obtain permission to shut down the affected fire protection system from the proper authorities and notify all personnel who may be affected by this action.

Absence of the cover plate/retainer assembly can delay sprinkler operation in a fire situation.

When properly installed, there is a nominal 3/32 in. (2,4 mm) air gap between the lip of the cover plate and the ceiling, as shown in Figure 2. This air gap is necessary for proper operation of the sprinkler. If the ceiling requires repainting after sprinkler installation, ensure that the new paint does not seal off any of the air gap.

Do not pull the cover plate relative to the enclosure. Separation may result.

Replace sprinklers that are leaking or exhibiting visible signs of corrosion.

Never repaint, plate, coat, or otherwise alter automatic sprinklers after they leave the factory. Never repaint factory-painted cover plates. If neces-

sary, replace them with factory-painted units. Non-factory applied paint can adversely delay or prevent sprinkler operation in the event of a fire.

Replace modified or over-heated sprinklers.

Exercise care to avoid damage to the sprinklers before, during, and after installation. Replace sprinklers damaged by dropping, striking, wrench twisting, wrench slipping, or the like. Also, replace any sprinkler that has a cracked bulb or that has lost liquid from its bulb. Refer to the Installation Section.

If you must remove a sprinkler, do not reinstall it or a replacement without reinstalling the cover plate/retainer assembly. If a cover plate/retainer assembly becomes dislodged during service, replace it immediately.

The owner is responsible for the inspection, testing, and maintenance of their fire protection system and devices in compliance with this document, as well as with the applicable standards of the NATIONAL FIRE PROTECTION ASSOCIATION such as NFPA 25, in addition to the standards of any other authorities having jurisdiction. Contact the installing contractor or product manufacturer with any questions.

Automatic sprinkler systems should be inspected, tested, and maintained by a qualified Inspection Service in accordance with local requirements and/or national code.

Limited Warranty

For warranty terms and conditions, visit www.tyco-fire.com.

Ordering Procedure

Contact your local distributor for availability. When placing an order, indicate the full product name and Part Number (P/N).

Sprinkler/Support Cup Assembly

Specify: Series RFII-C Special Application Royal Flush Concealed Pendent Sprinkler, TY3582, for Corridor or Hallway Applications, (specify) temperature rating, P/N (specify):

155°F (68°C)
TY3582..... 51-734-1-155

200°F (93°C)
TY3582..... 51-734-1-200

Separately Ordered Cover Plate/Retainer Assembly

Specify: (temperature rating, listed below) Series RFII Concealed Cover Plate with (finish), P/N (specify):

139°F (59°C)^(a)
Grey White (RAL9002)..... 56-792-0-135
Brass..... 56-792-1-135
Pure White^(c) (RAL9010)..... 56-792-3-135
Signal White (RAL9003)..... 56-792-4-135
Jet Black (RAL9005)..... 56-792-6-135
Chrome..... 56-792-9-135
Custom..... 56-792-X-135

165°F (74°C)^(b)
Grey White (RAL9002)..... 56-792-0-165
Brass..... 56-792-1-165
Pure White^(c) (RAL9010)..... 56-792-3-165
Signal White (RAL9003)..... 56-792-4-165
Jet Black (RAL9005)..... 56-792-6-165
Chrome..... 56-792-9-165
Custom..... 58-792-X-165

a. For use with 155°F (68°C) sprinklers
b. For use with 200°F (93°C) sprinklers
c. Eastern Hemisphere sales only

Sprinkler Wrench

Specify: W-Type 40 Sprinkler Wrench, P/N 56-000-1-076

